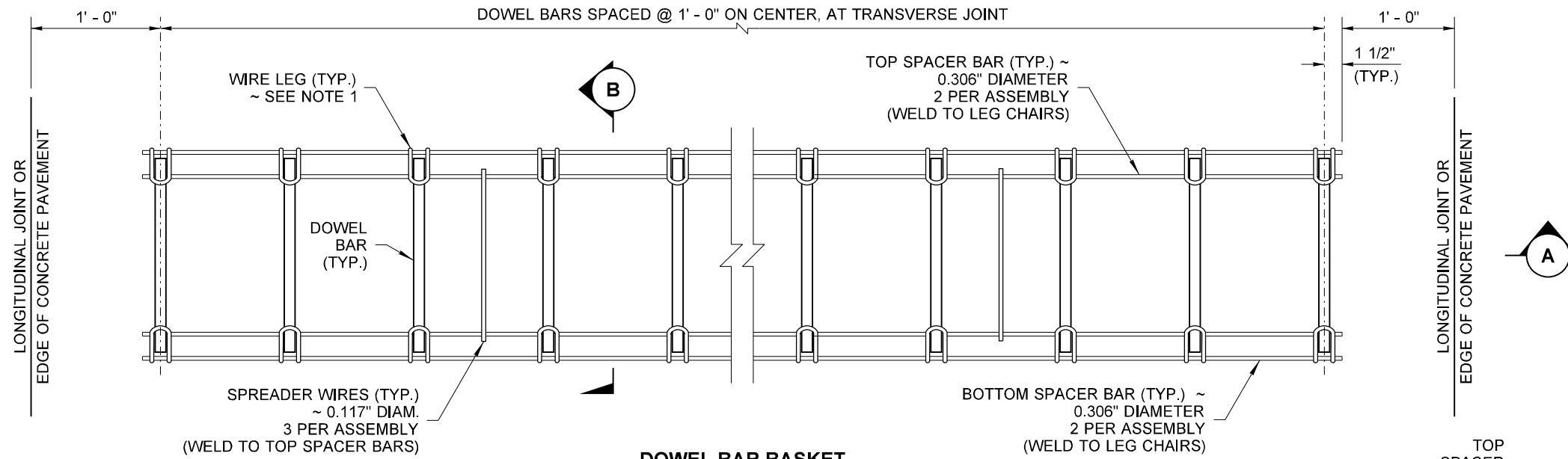


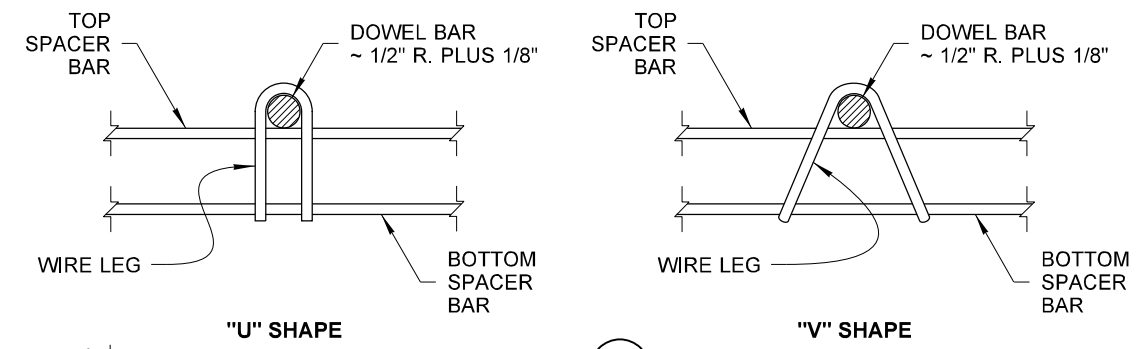
DRAWN BY: LISA CYFORD



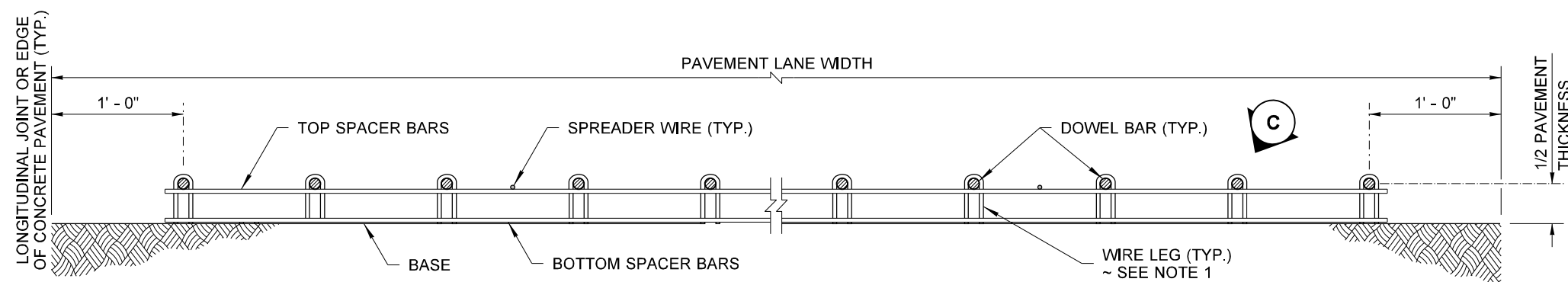
**DOWEL BAR BASKET**  
**PLAN VIEW**  
 "U" SHAPE ASSEMBLY SHOWN

**NOTES**

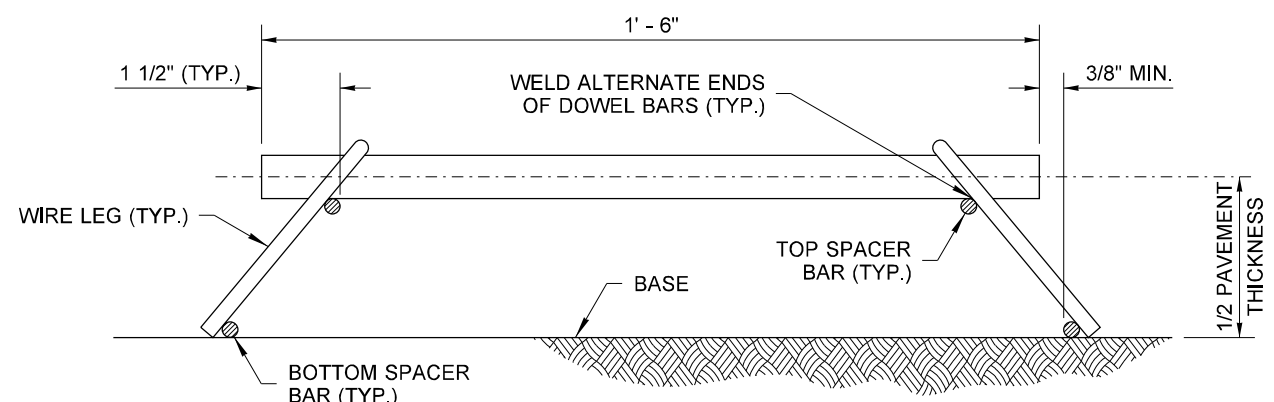
1. The "U" shape or "V" shape are both acceptable.
2. Wire sizes shown are minimum required.
3. All wire intersections are to be welded.
4. Basket must be anchored to existing or new base.
5. Dowels and Tie Bars shall be held firmly in the above welded assembly.
6. Do not clip Spreader Wires.



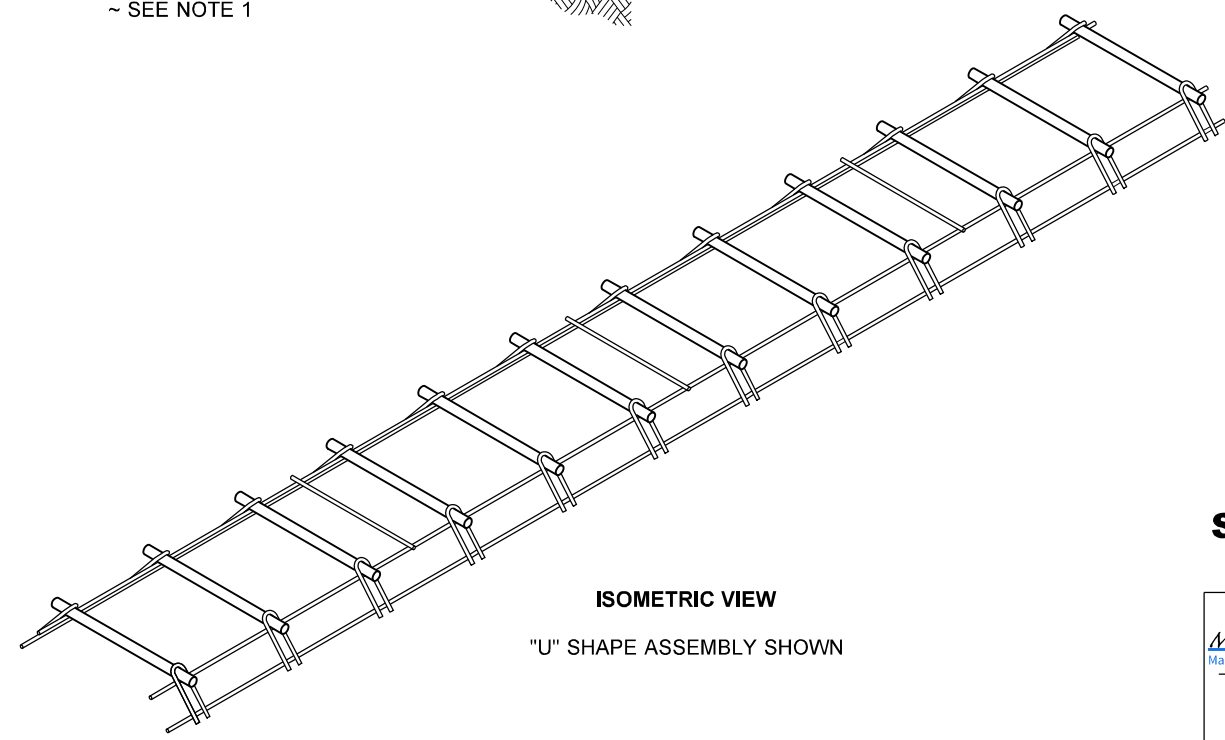
**DETAIL C**  
**WIRE LEG DETAILS**



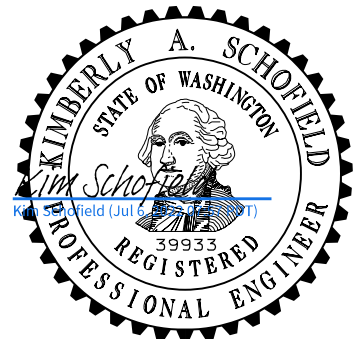
**SECTION A**  
**ELEVATION VIEW**  
 "U" SHAPE ASSEMBLY SHOWN



**SECTION B**



**ISOMETRIC VIEW**  
 "U" SHAPE ASSEMBLY SHOWN



Jul 6, 2022

**DOWEL BAR BASKETS**

**STANDARD PLAN A-40.00-01**

SHEET 1 OF 1 SHEET

APPROVED FOR PUBLICATION

*Mark Gaines*  
 Mark Gaines (Jul 6, 2022 08:48 PDT)

Jul 6, 2022

STATE DESIGN ENGINEER

