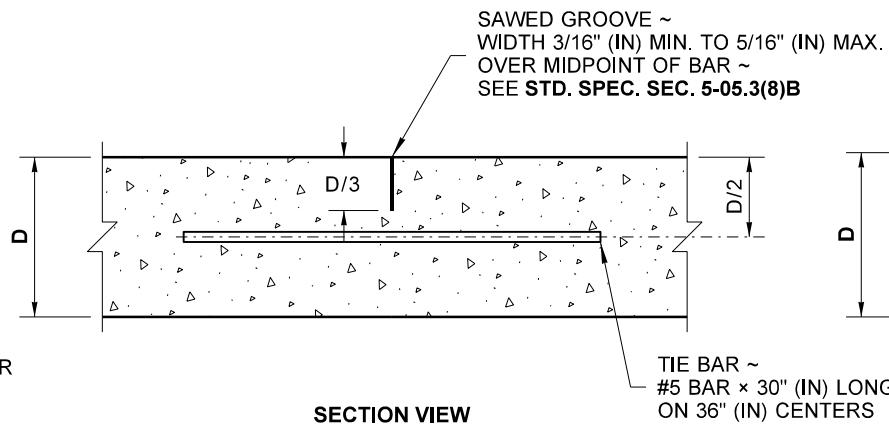
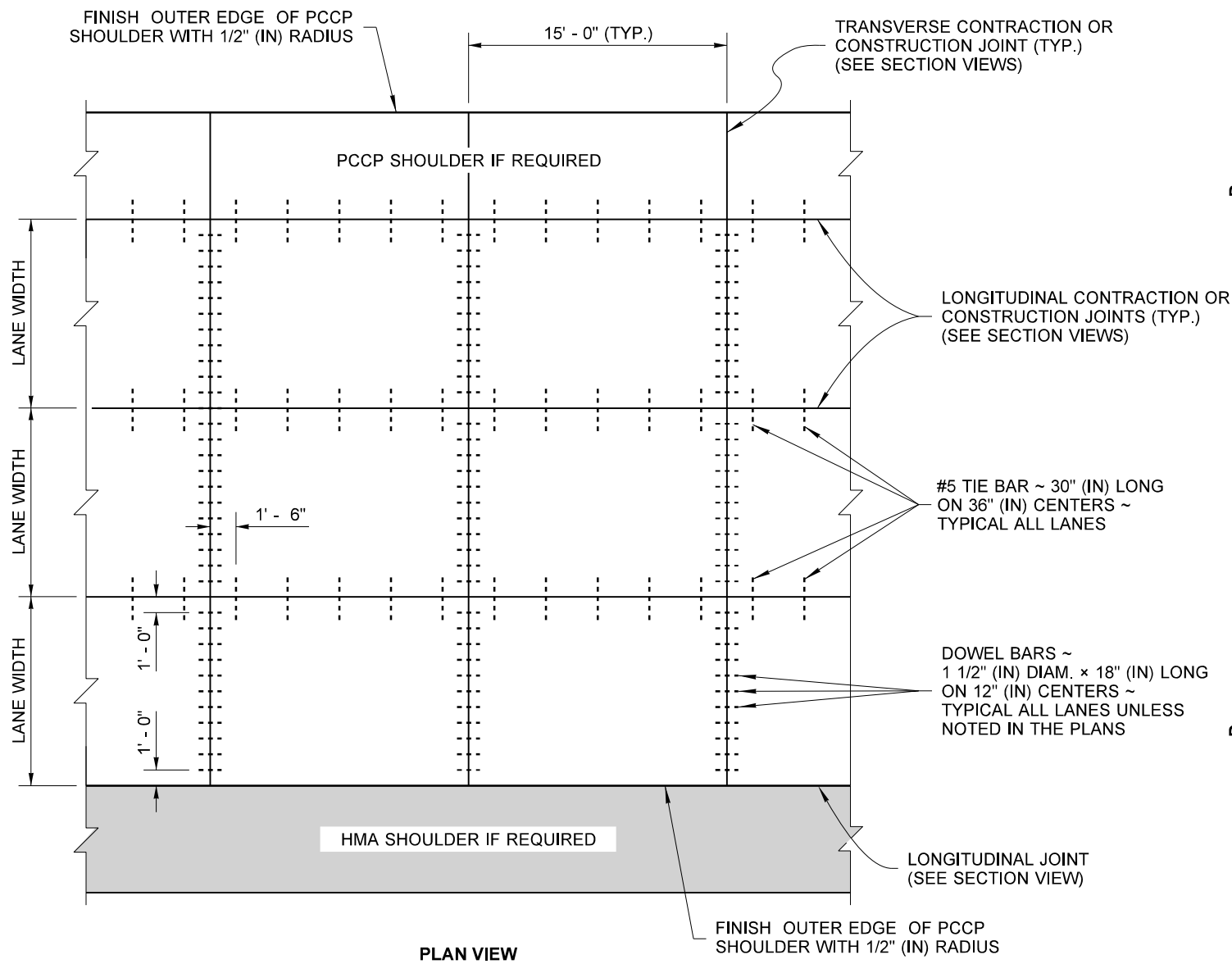
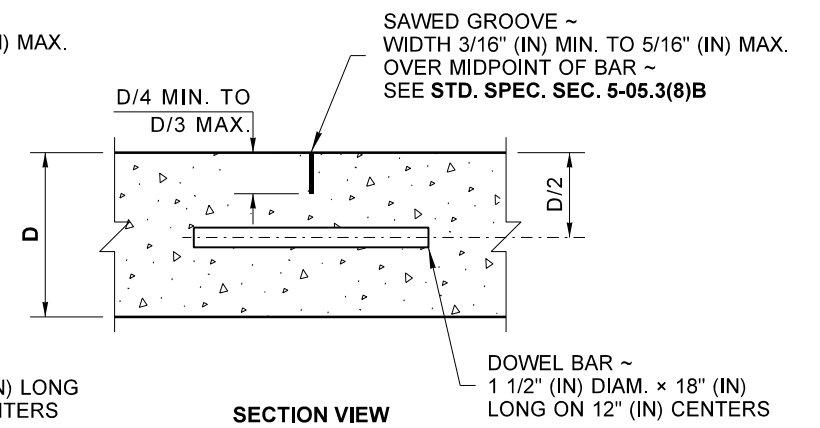


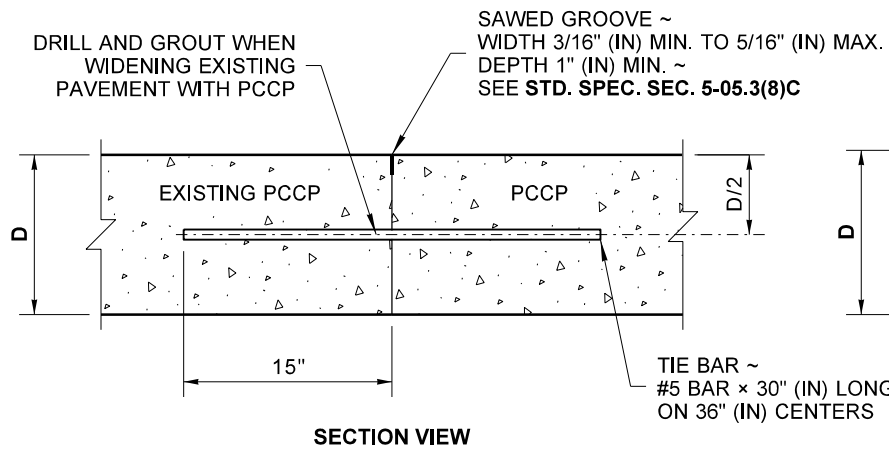
DRAWN BY: FERN LIDDELL



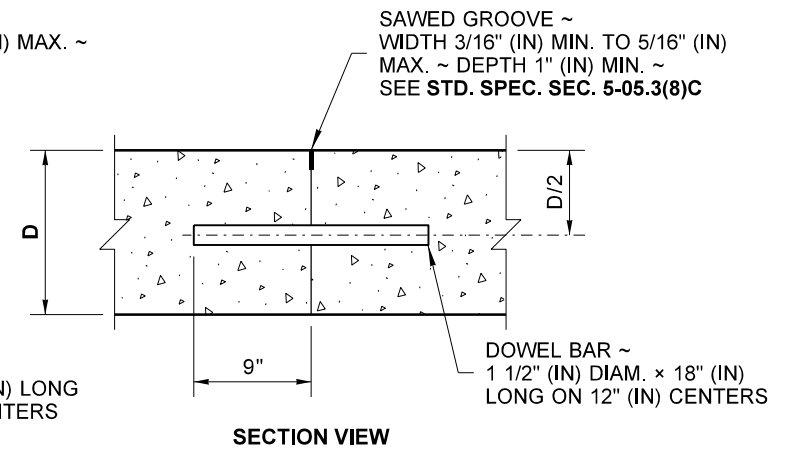
LONGITUDINAL CONTRACTION JOINT



TRANSVERSE CONTRACTION JOINT

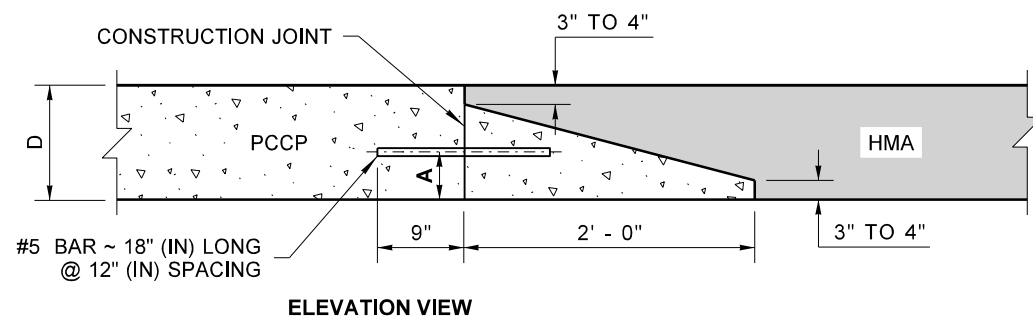


PCCP TO PCCP LONGITUDINAL CONSTRUCTION JOINT



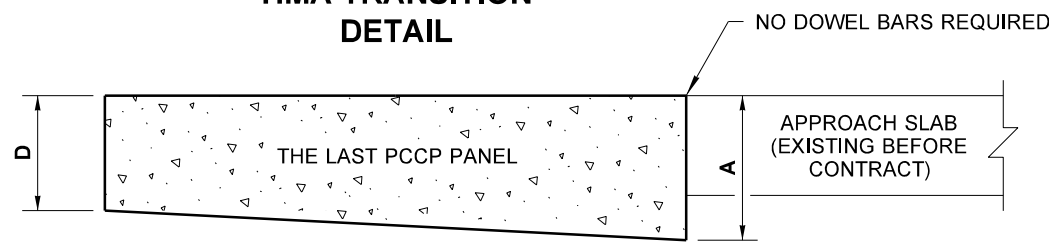
TRANSVERSE CONSTRUCTION JOINT

SLAB THICKNESS (D)	A
12"	5"
D	D/2 - 1"

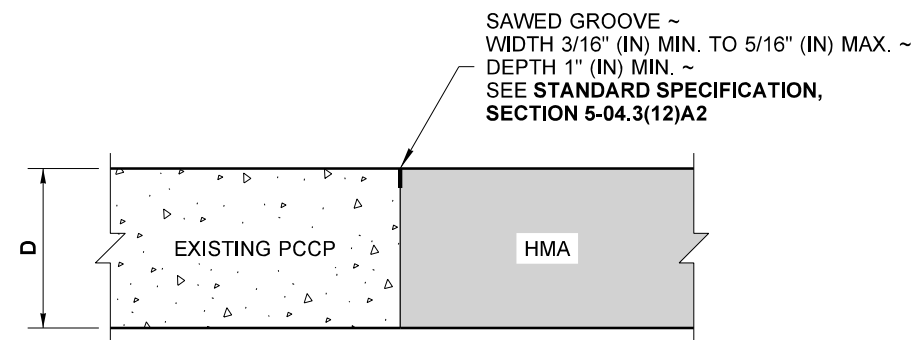


HMA TRANSITION DETAIL

DEPTH OF PCCP (D)	A
12"	15"
D	1.25 x D



EXISTING APPROACH SLAB TRANSITION DETAIL



PCCP TO HMA LONGITUDINAL JOINT



CEMENT CONCRETE PAVEMENT JOINTS

STANDARD PLAN A-40.10-04

SHEET 1 OF 1 SHEET

APPROVED FOR PUBLICATION

STATE DESIGN ENGINEER
 Washington State Department of Transportation

USE ON GRANULAR BASES ONLY ~ NO TAPER REQUIRED ON ASPHALT BASES