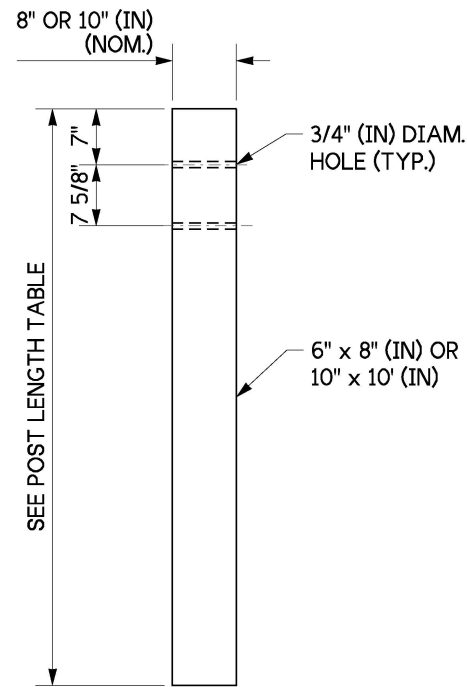
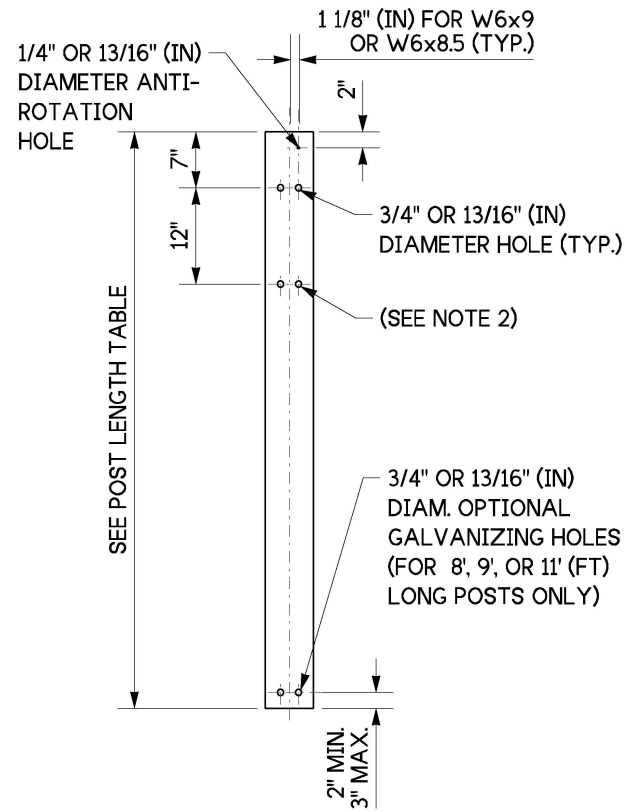


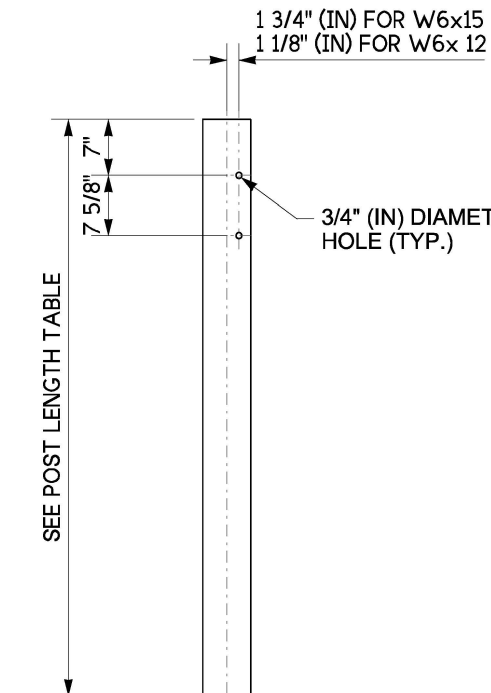
W-BEAM (WOOD POST)



THRIE-BEAM (WOOD POST)



W-BEAM (STEEL POST ~ SEE NOTES 3 AND 4)



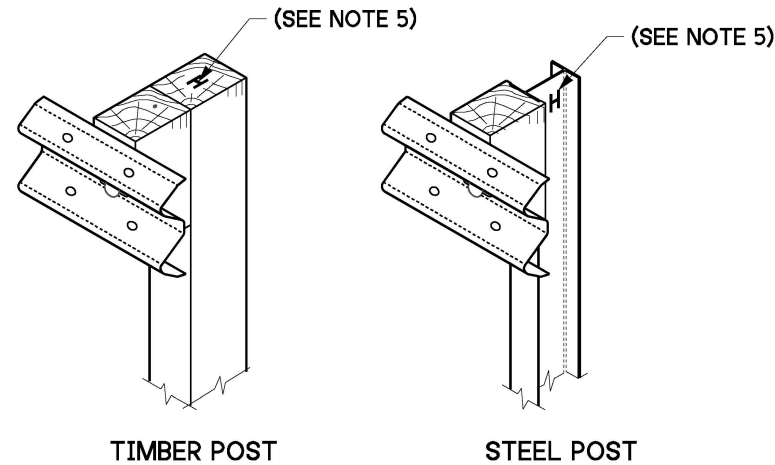
THRIE-BEAM (STEEL POST ~ SEE NOTES 3 AND 4)

NOTES:

1. Wood posts for all guardrail placement plans shall be 6" x 8" (in) except where noted otherwise.
2. Lower hole is for w-beam rub rail of Beam Guardrail Type 31 - Buried Terminal Type 2.
3. W6x8.5 or W6x9 steel posts and timber blocks are alternates for 6x8 timber posts and blocks. W6x15 steel posts and timber blocks are alternates for 10" x 10" (in) timber posts and blocks.
4. Attach blockouts to steel posts using bolt holes on approaching traffic side of post web.
5. When "Beam Guardrail Type - _ _ Ft. Long Post" is specified in the contract, the post length shall be stamped with numbers, 1 1/2" min. high x 3/4" (in) wide at the location where the letter "H" is shown in the ASSEMBLY DETAIL. For wood post applications, the letter shall be stamped to a minimum depth of 1/4" (in). For steel post applications, the letter shall be legible after the post is galvanized. After post installation, it shall be the Contractor's responsibility to ensure the stamped numbers remain visible.

POST LENGTH TABLE	
GUARDRAIL TYPE	LENGTH
TYPE 31	6' - 0"
	8' - 0" *
	9' - 0" *
	11' - 0" *
THRIE BEAM	VARIES **

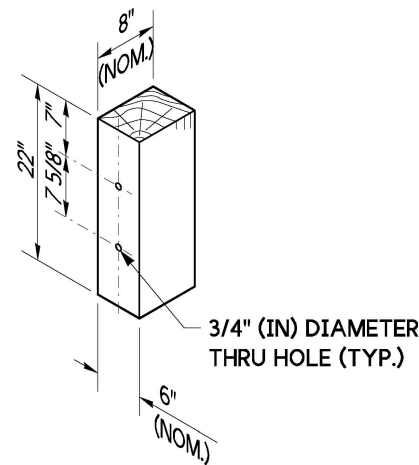
ROUTERED WOOD BLOCKS FOR STEEL POST TABLE		
POST	A	B
W6 x 8.5	6" NOMINAL	4 1/4"
W6 x 9	6" NOMINAL	4 1/4"
W6 x 12	6" NOMINAL	4 1/4"
W6 x 15	8" NOMINAL	6 1/4"



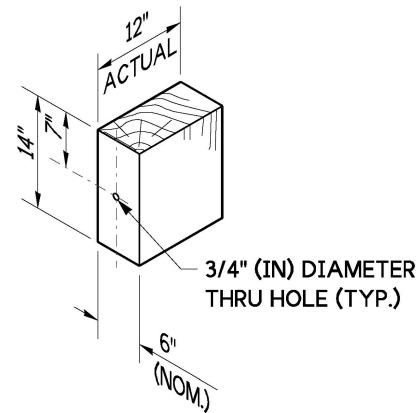
TIMBER POST

STEEL POST

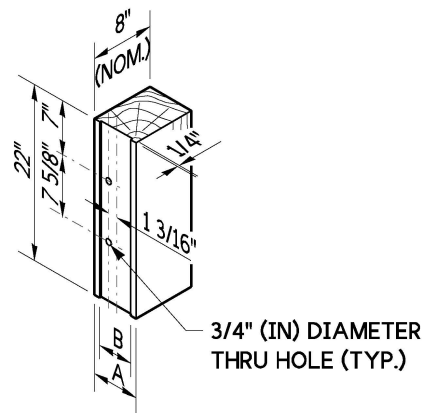
PARTIAL ASSEMBLY DETAIL



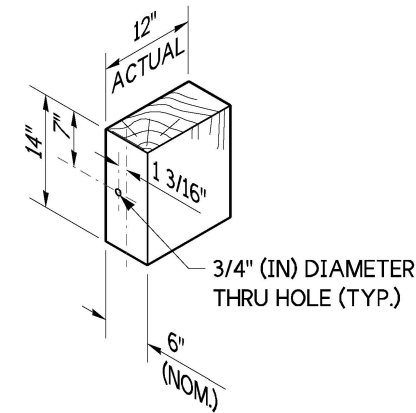
THRIE-BEAM WOOD BLOCK FOR WOOD POST



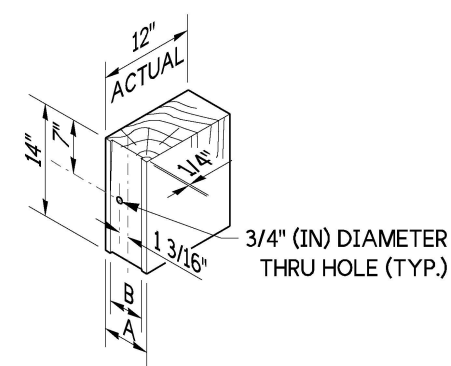
W-BEAM WOOD BLOCK FOR WOOD POST



ROUTERED THRIE-BEAM WOOD BLOCK FOR STEEL POST



W-BEAM WOOD BLOCK FOR STEEL POST



ROUTERED W-BEAM WOOD BLOCK FOR STEEL POST



Oct 12, 2023

**BEAM GUARDRAIL POSTS AND BLOCKS
STANDARD PLAN C-1b**

SHEET 1 OF 1 SHEET

APPROVED FOR PUBLICATION

 Oct 12, 2023
 STATE DESIGN ENGINEER