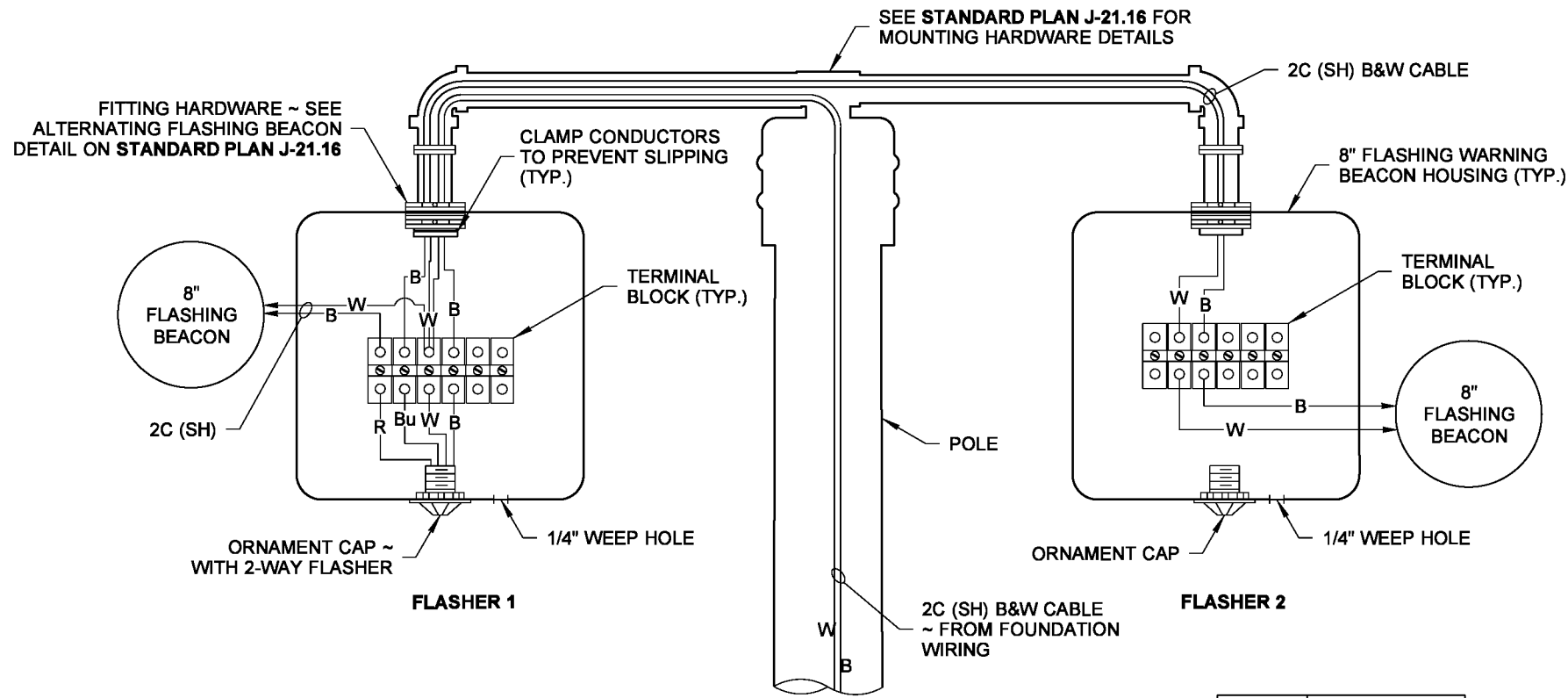
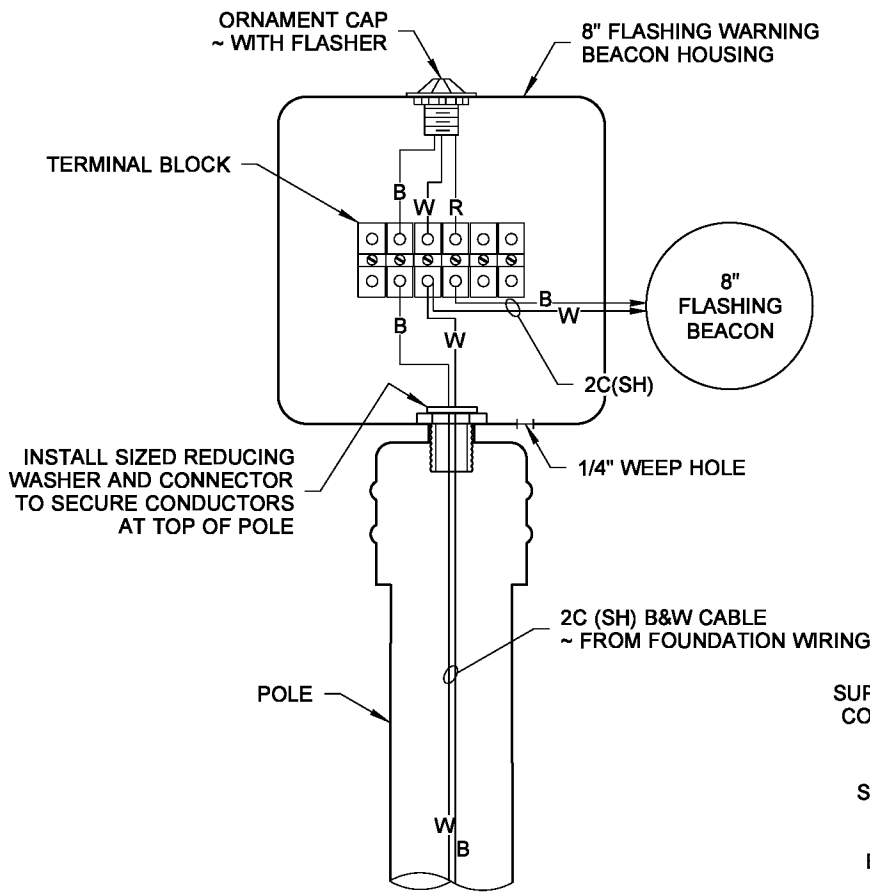


DRAWN BY: FERN LIDDELL

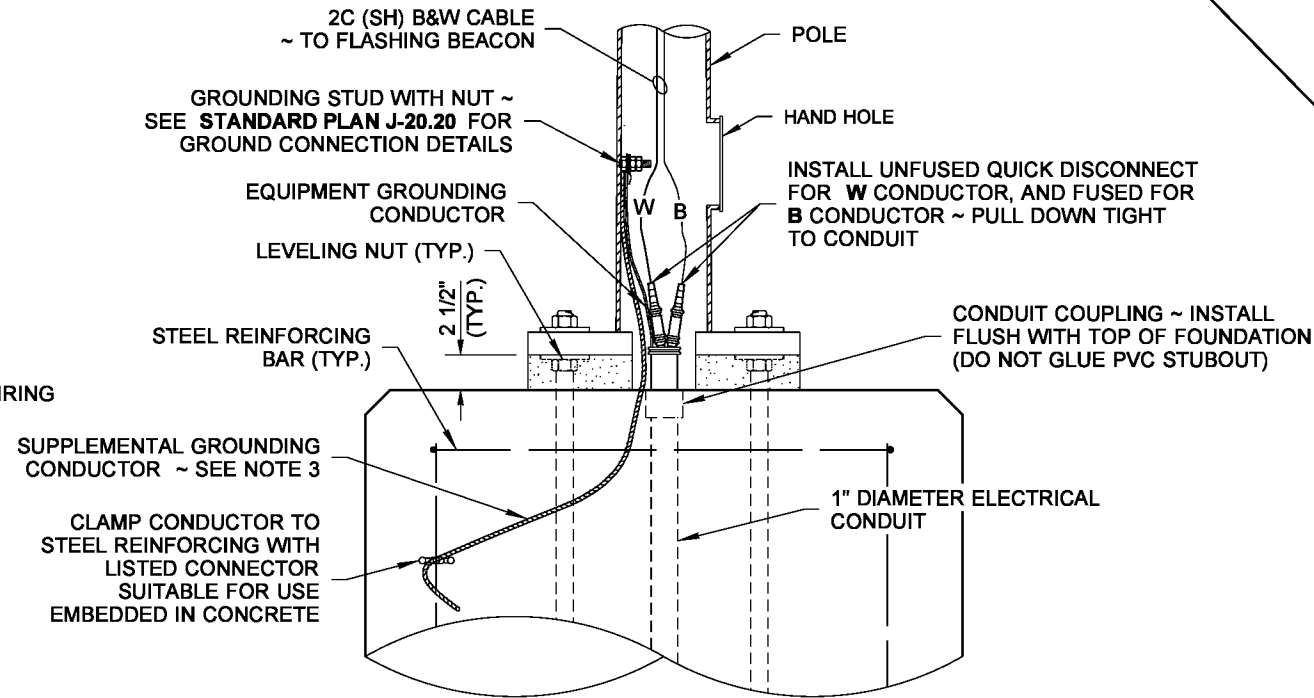


COLOR CODE	USE
B	POWER
W	NEUTRAL
R	FLASHER 1
Bu	FLASHER 2

**DETAIL A**  
FLASHING BEACON WIRING  
ALTERNATING FLASH WIRING SHOWN



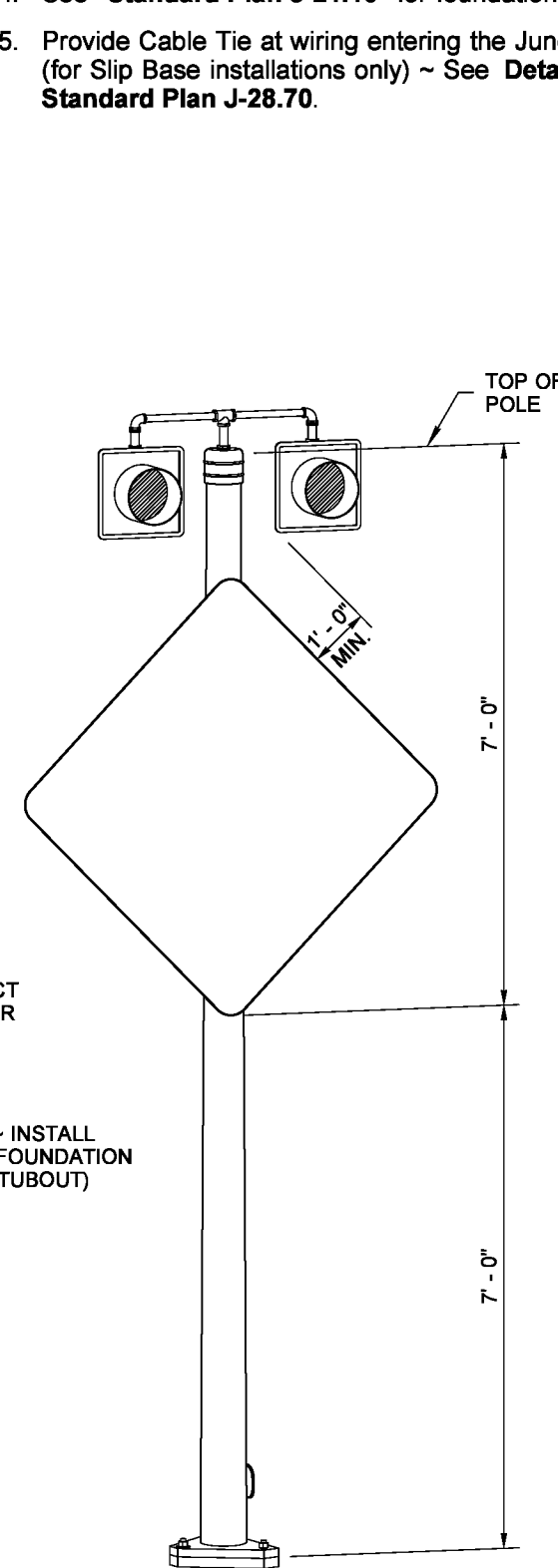
**DETAIL B**  
FLASHING BEACON WIRING  
SINGLE FLASH WIRING SHOWN



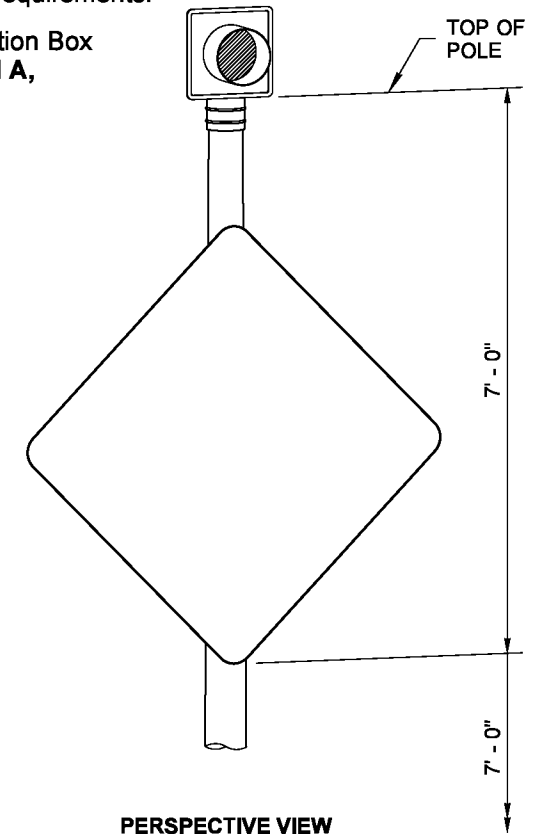
**DETAIL C**  
FOUNDATION WIRING  
FIXED BASE SHOWN

**NOTES**

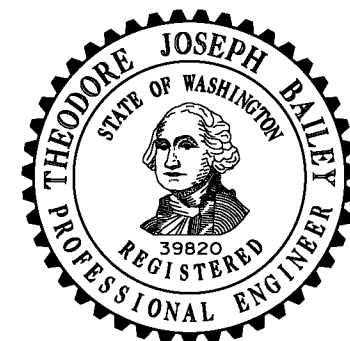
1. See **Standard Specification 9-29.3** for Cable Conductor requirements.
2. See **Standard Plan J-21.16** for Flashing Beacon Type 1 Signal Standard details.
3. Supplemental Grounding Conductor shall be non-insulated #4 AWG stranded copper, provide 3' - 0" min. slack. Clamp to vertical steel reinforcing bar with listed connector suitable for use embedded in concrete.
4. See **Standard Plan J-21.10** for foundation requirements.
5. Provide Cable Tie at wiring entering the Junction Box (for Slip Base installations only) ~ See **Detail A, Standard Plan J-28.70**.



**PERSPECTIVE VIEW**  
FLASHING BEACON TYPE 1  
ALTERNATING FLASH BEACON SHOWN



**PERSPECTIVE VIEW**  
FLASHING BEACON TYPE 1  
SINGLE FLASH BEACON SHOWN



NOTE: THIS PLAN IS NOT A LEGAL ENGINEERING DOCUMENT. IT IS FOR INFORMATION ONLY. THE ORIGINAL SIGNATURE OF THE ENGINEER MUST BE FILED WITH THE WASHINGTON STATE DEPARTMENT OF TRANSPORTATION. A COPY MAY BE OBTAINED UPON REQUEST.

**FLASHING BEACON  
TYPE 1 SIGNAL STANDARD  
ELECTRICAL DETAILS**

**STANDARD PLAN J-21.17-01**

SHEET 1 OF 1 SHEET

APPROVED FOR PUBLICATION

**Pasco Bakotich III** 6/10/13

STATE DESIGN ENGINEER DATE

