

KEY NOTES

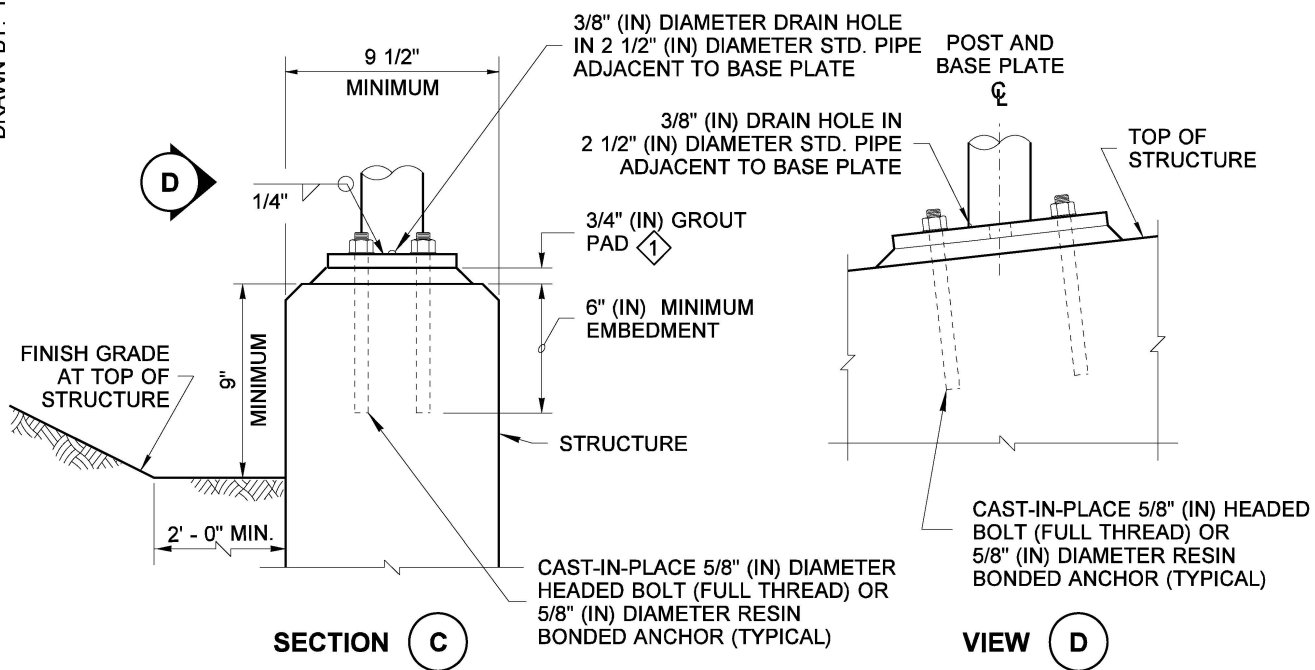
- ① Grout shall be in accordance with **Standard Specification Section 9-20.3(2)**.
- ② Angles vary with the slope of the top of the wall. Approx. 45° when on a level surface.
- ③ Measured parallel to the top of structure.
- ④ Omit intermediate post when spacing between end post and intermediate brace is less than 8' - 6".
- ⑤ Drill a 1 1/8" (in) diameter hole for a 3/4" (in) diameter Sched. 40 PVC pipe (1.05" (in) OD). Bevel edges of inside diameter to prevent chafing. Place thru center of post and flare ends (Typ.).
- ⑥ See Contract plans for joint locations and structure angle points.
- ⑦ The same post mounting detail shall be used for each structure and shall not be interchanged within the one structure.

CABLE FENCE

NOTES

1. This cable fence meets the requirements for fall protection in accordance with **WAC296-880** and shall not be used for pedestrian applications.
2. This structure has been designed in accordance with the requirements of **AASHTO LRFD Bridge Design Specifications 9th Edition 2020**, and loading in accordance with **WAC 296-880**.
3. Structure reinforcement shall be in accordance with the structure details and shall account for the attachments shown here, and be designed for Fall Protection Loading in accordance with **WAC 296-880**. Structure details shall be submitted for contractor supplied design or provided in this contract for contracting agency supplied design.
4. Unless otherwise shown in the plans, concrete cover measured from the face of concrete to face of any reinforcing steel shall be 2"(in) min. clearance.
5. All steel pipe shall be **ASTM A53 grade B, type E or S**, or equivalent HSS round tube, **ASTM A500 Grade B or Grade C**.
6. All steel plate shall be **ASTM A36** or **ASTM A572**.
7. Wire rope shall consist of zinc coated wires conforming to **ASTM A603**, or **ASTM A1023** with a prestretched modulus of elasticity of 15,000 KSI, or "Phillystran" rope.
8. All parts except rope shall be hot dip galvanized in accordance with **AASHTO M111, M232** or **ASTM F2329** after fabrication, unless noted otherwise.
9. The spelter sockets and socketing procedure shall be in accordance with spelter socket and rope manufacturers recommendations.
10. All posts to be installed vertical, and rope to be installed parallel to top of Structure.
11. Rope shall be installed to 400 lbs tension leaving a take up of 6" (in) still available in the turnbuckle. The contractor shall submit cable tensioning details to the engineer for acceptance.
12. Each continuous length of cable shall have a turnbuckle at one end only and be anchored to the end post or intermediate brace.
13. Intermediate posts, end posts, and intermediate braces shall not be installed across expansion joints.
14. Proof coil chain shall be **ASTM A413** grade 30.
15. Mechanical alloy coupling link shall be **ASTM A952**.
16. The contractor shall clean, prepare and shop paint or powder coat all exposed galvanized surfaces of the cable fence post assemblies in accordance with **Standard Specification Section 6-07.3(11)**. The color of the finish coat, when dry, shall match SAE AMS Standard 595 Color No. 20045 or as specified in the contract. After installation, any surfaces with paint or powder coating damage shall be repaired in accordance with **Standard Specification Section 6-07.3(10)P** or **Section 6-07.3(11)B6**, respectively.
17. Ropes, spelter sockets, turnbuckles and their connections shall have a min. breaking strength of 26 KIPS.
18. Resin bonded anchors shall conform to **Standard Specification Section 6-02** as supplemented in the Special Provisions.
19. Cable Fence shall not be installed on horizontal curves. Cable Fence shall not be installed on structure with a top of structure slope exceeding 2H : 1V.

DRAWN BY: FERN LIDDELL



Sep 16, 2022

CABLE FENCE

STANDARD PLAN L-5.15-00

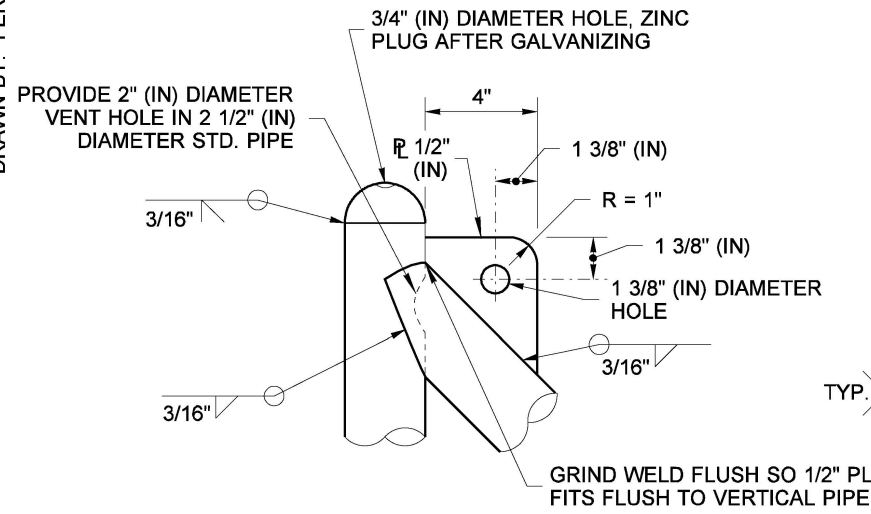
SHEET 1 OF 2 SHEETS

APPROVED FOR PUBLICATION

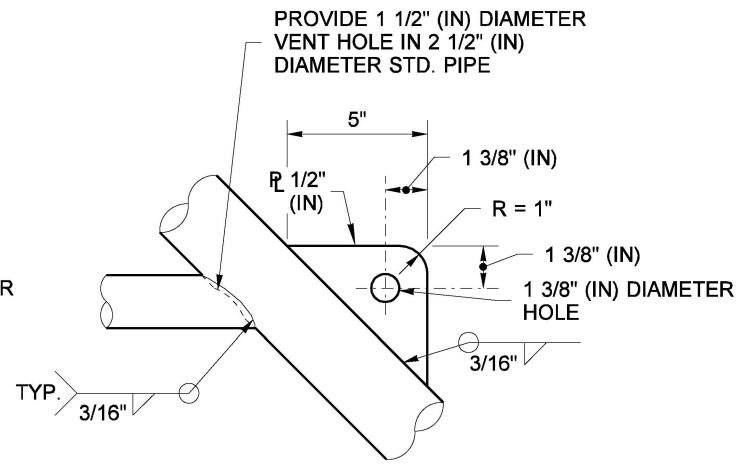
 Mark Gaines (Sep 19, 2022 08:37 PDT)
 STATE DESIGN ENGINEER
 Washington State Department of Transportation

Sep 19, 2022

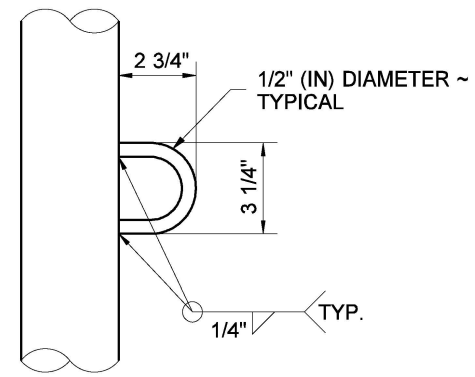
DRAWN BY: FERN LIDDELL



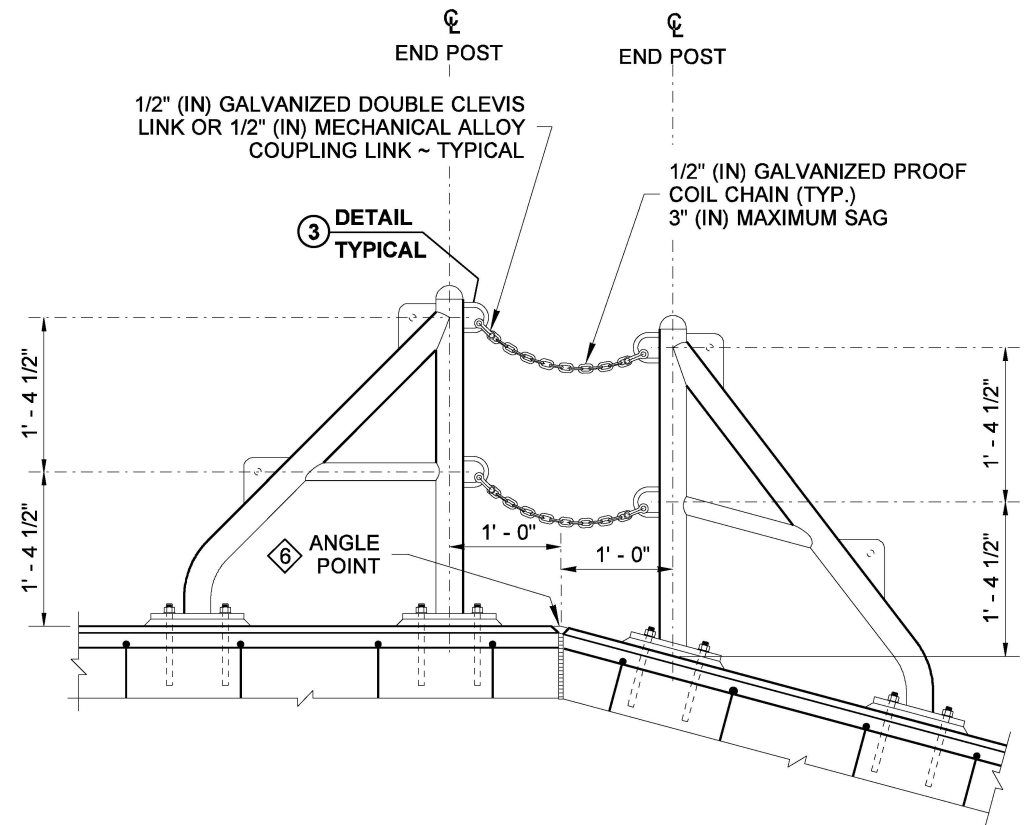
DETAIL 1



DETAIL 2

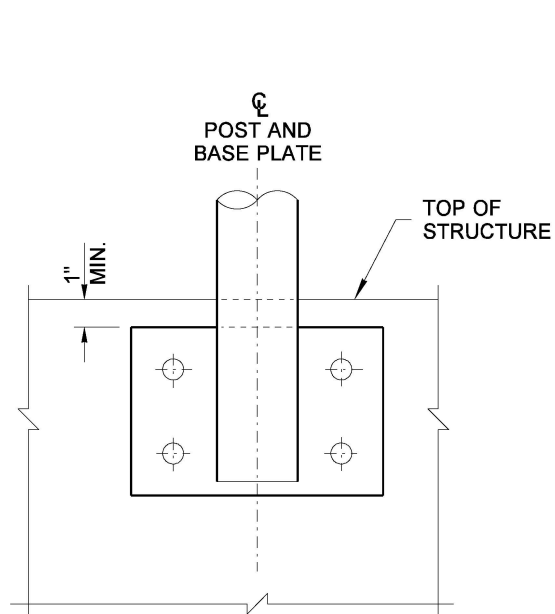


DETAIL 3
RETAINER LOOP

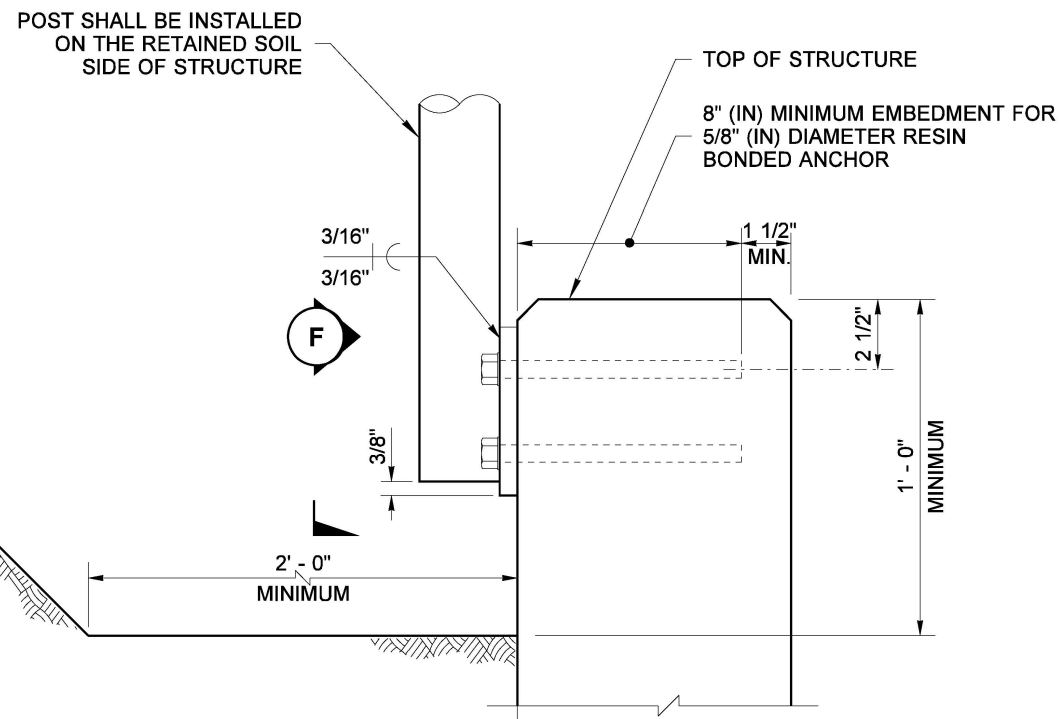


ELEVATION - TYPICAL CHAIN CONNECTION

TO BE INSTALLED ACROSS STRUCTURE ANGLE POINTS, BOTH VERTICAL AND HORIZONTAL. VERTICAL ANGLE POINT SHOWN, HORIZONTAL SIMILAR. HORIZONTAL MEASUREMENTS ARE ALONG THE CENTER LINE OF THE STRUCTURE. (WIRE ROPE AND SPELTER SOCKETS NOT SHOWN FOR CLARITY)

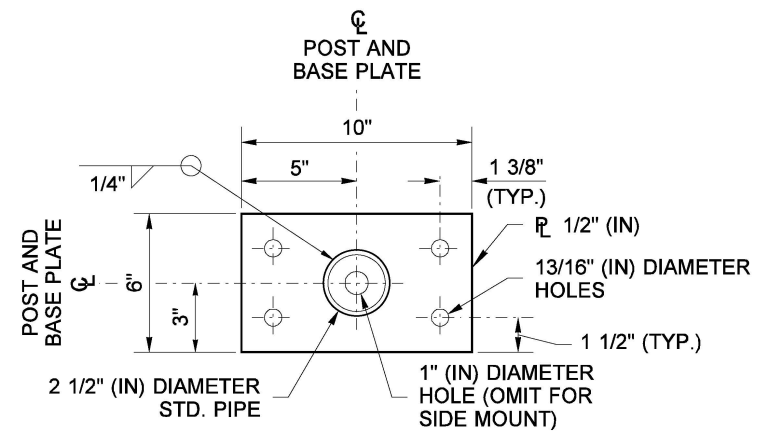


VIEW F



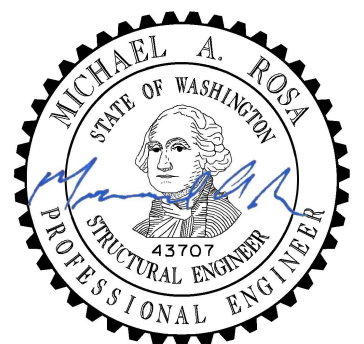
SECTION E

ALTERNATE POST MOUNT



BASE PLATE DETAIL

(SHOWN FOR TOP MOUNT, SIDE MOUNT SIMILAR)



Sep 16, 2022

CABLE FENCE

STANDARD PLAN L-5.15-00

SHEET 2 OF 2 SHEETS

APPROVED FOR PUBLICATION

Mark Gaines
Mark Gaines (Sep 19, 2022 08:37 PDT)

Sep 19, 2022

STATE DESIGN ENGINEER

