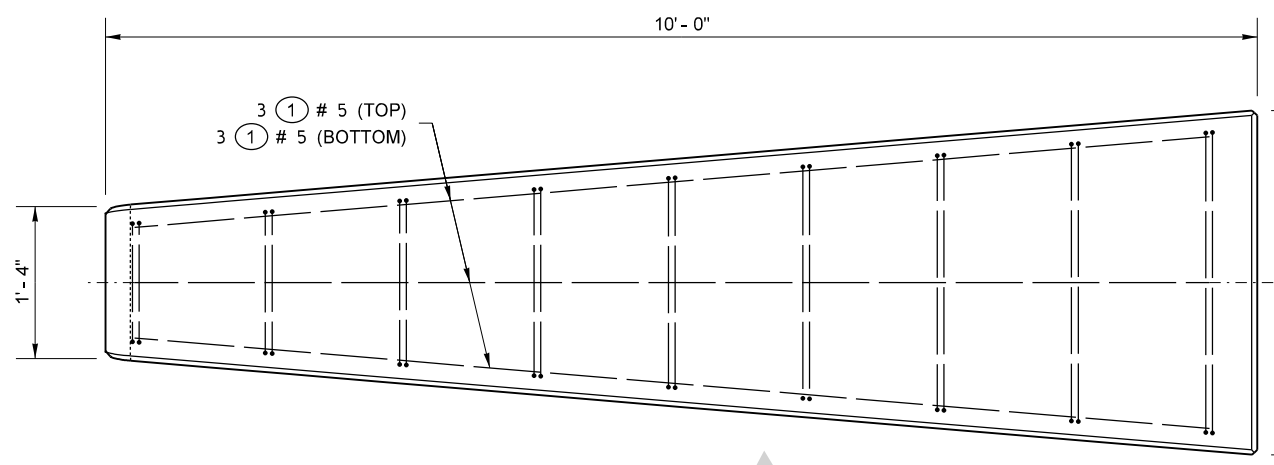


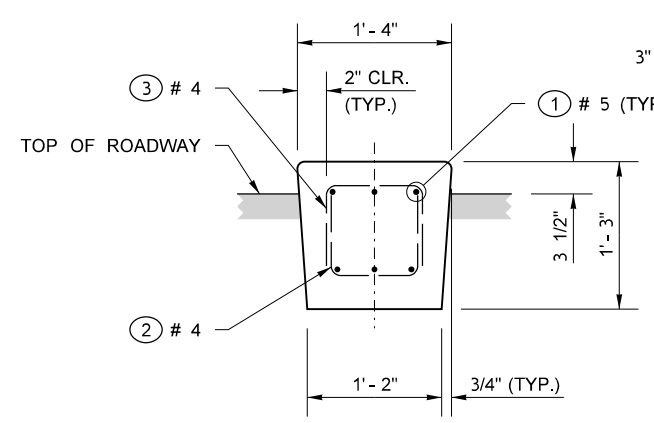
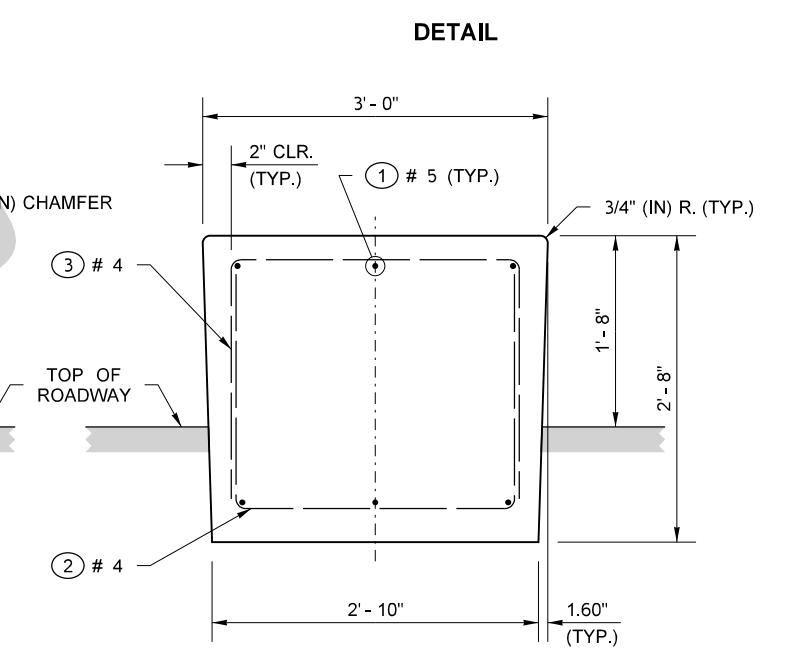
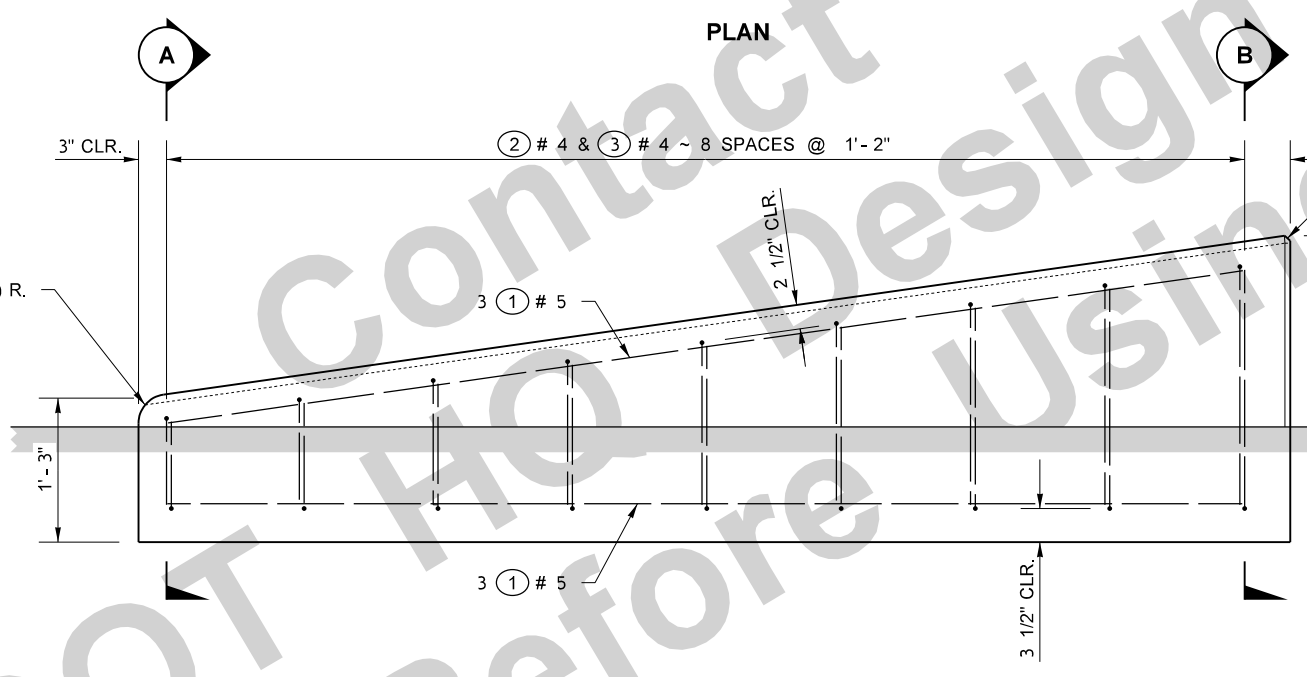
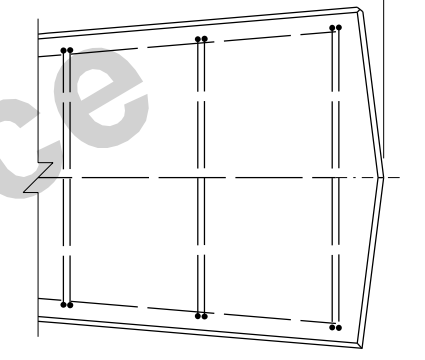
BAR LIST			
MARK	LOCATION	QTY.	SIZE
①	LONGITUDINAL	6	# 5
②	TOP ~ VERTICAL/TRANSVERSE	9	# 4
③	BOTTOM ~ VERTICAL/TRANSVERSE	9	

BENDING DIAGRAM ALL BENDS ARE 2" RADIUS. ALL DIMENSIONS ARE OUT TO OUT.



SAW CUT END OF NOSING TO ACHIEVE THE DESIRED ANGLE REQUIRED FOR THE LOW PROFILE BARRIER CURB PLACEMENT NEEDED TO MATCH MEDIAN WIDTH

2 1/4" MAX.

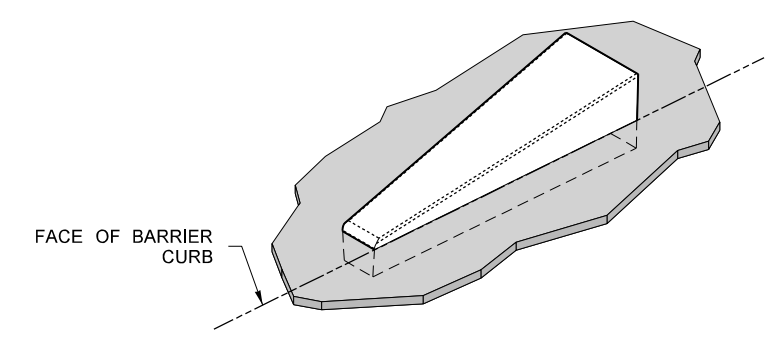


SECTION A
(SHOWN AT LIMIT OF NOSING)

ELEVATION

#4 @ 12" (IN) SPACING

SECTION B
(SHOWN AT LIMIT OF NOSING)



ISOMETRIC

LOW PROFILE BARRIER CURB NOSING

FILE NAME	S:\Design R P& S\4-Standards\2-Plan Sheet Library\01-Master PSL\TB Traffic Barrier\TB-16\TB-16.dgn	REGION NO.	STATE	FED.AID PROJ.NO.	<p>Washington State Department of Transportation</p>	Plot 1
TIME	8:28:12 AM	WASH				PLAN REF NO
DATE	10/10/2023	JOB NUMBER				TB-16
PLOTTED BY	liddelf	CONTRACT NO.		LOCATION NO.		SHEET
DESIGNED BY						1
ENTERED BY						OF
CHECKED BY						1
PROJ. ENGR.						SHEETS
REGIONAL ADM.		REVISION	DATE	BY		LOW PROFILE BARRIER CURB NOSING