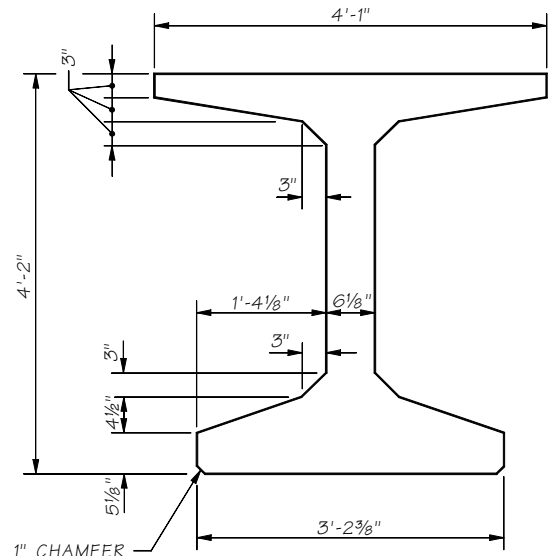
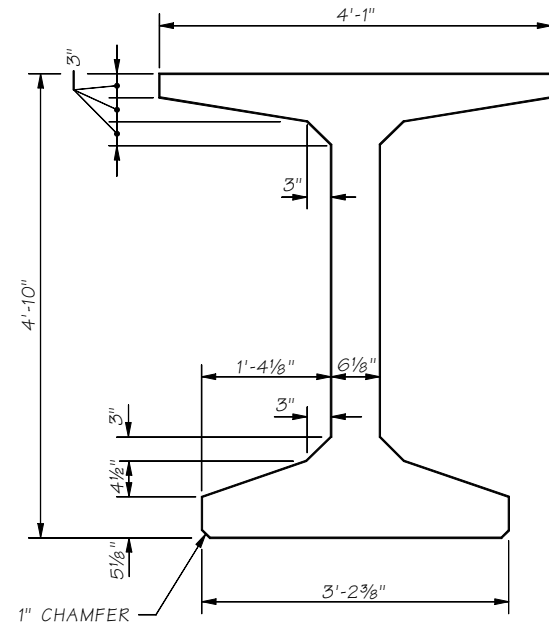


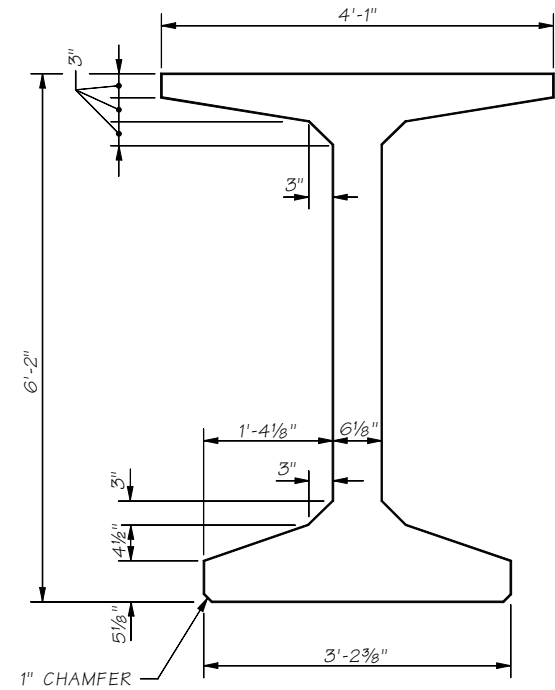
WF42G



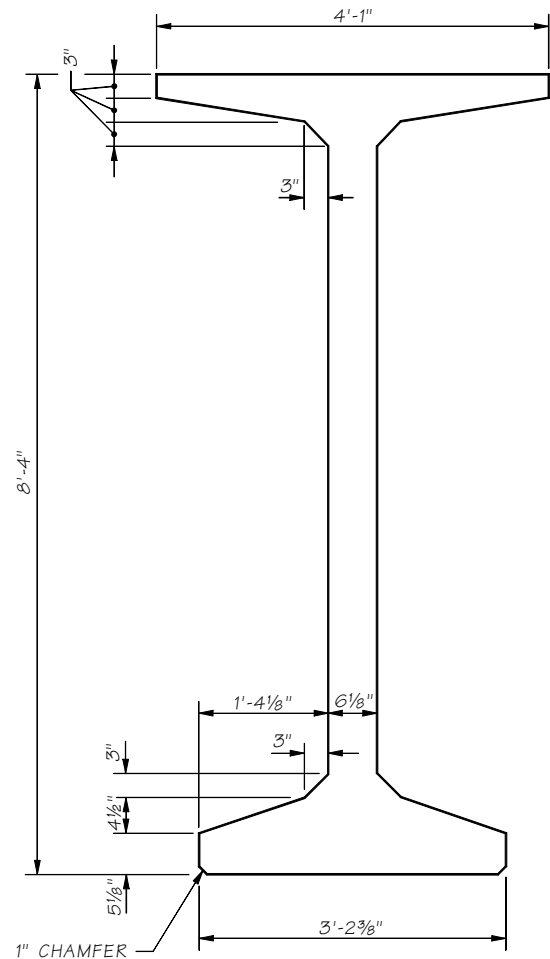
WF50G



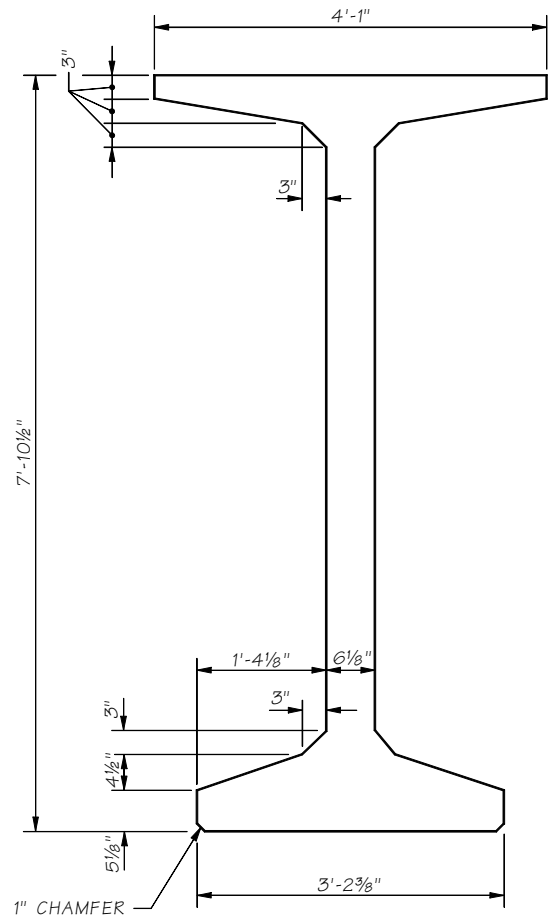
WF58G



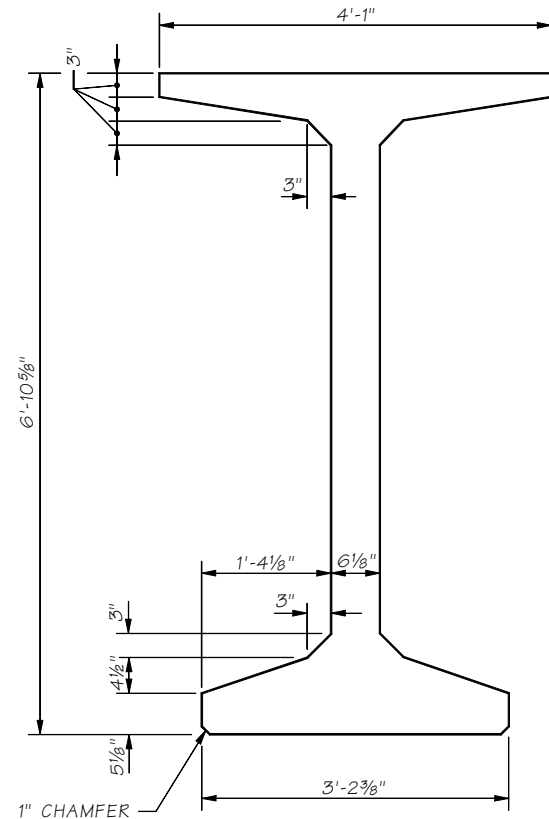
WF66G



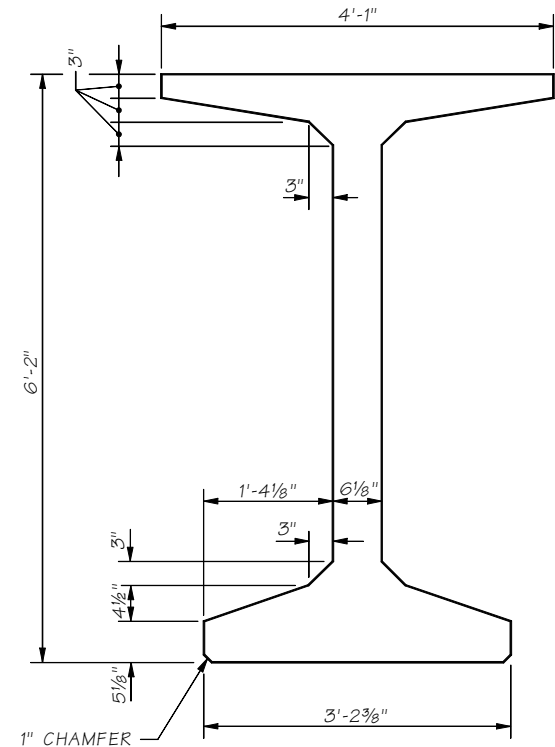
WF100G



WF95G



WF83G



WF74G

PRECAST PRESTRESSED WIDE FLANGE GIRDERS

SR JOB NO. 0000 SHEET 0

| | | | | | |
|-----------------------|---|----------|----|------|--|
| Bridge Design Engr. | M:\Y-Team\BDM Drawings>window files\wide Flange Girder Sections.WND | | | | |
| Supervisor | | | | | |
| Designed By | | | | | |
| Checked By | | | | | |
| Detailed By | | | | | |
| Bridge Projects Engr. | | | | | |
| Prelim. Plan By | | | | | |
| Architect/Specialist | DATE | REVISION | BY | APPD | |

| | | | | |
|-------------------------------------|-------|--------------------|-----------|--------------|
| REGION NO. | STATE | FED. AID PROJ. NO. | SHEET NO. | TOTAL SHEETS |
| 10 | WASH. | | | |
| BRIDGE AND STRUCTURES OFFICE | | | | |
| | | | | |

| |
|--|
| STANDARD PRESTRESSED CONCRETE GIRDERS |
| WIDE FLANGE GIRDER SECTIONS |

| |
|------------------|
| BRIDGE SHEET NO. |
| SHEET |
| OF |
| SHEETS |