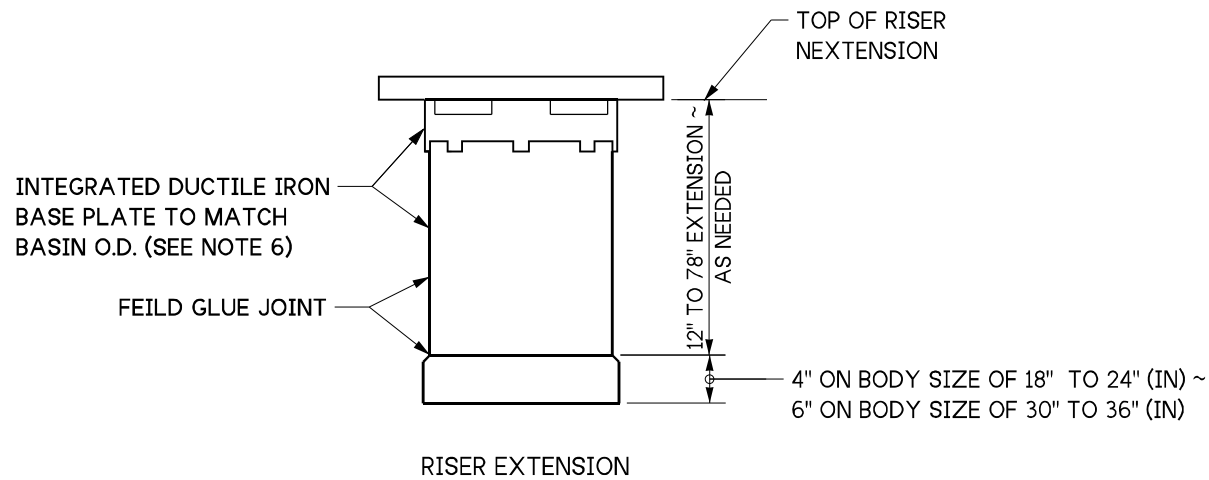
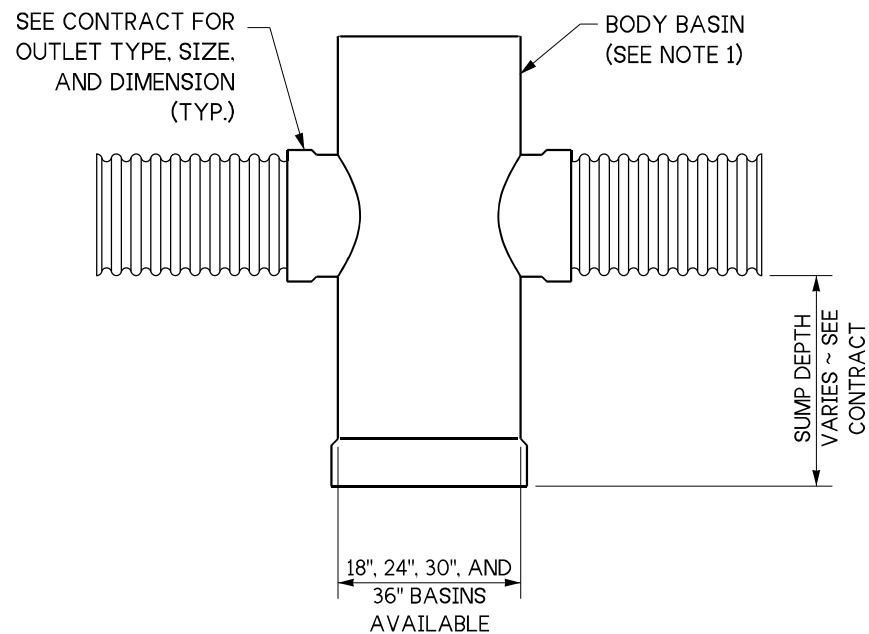


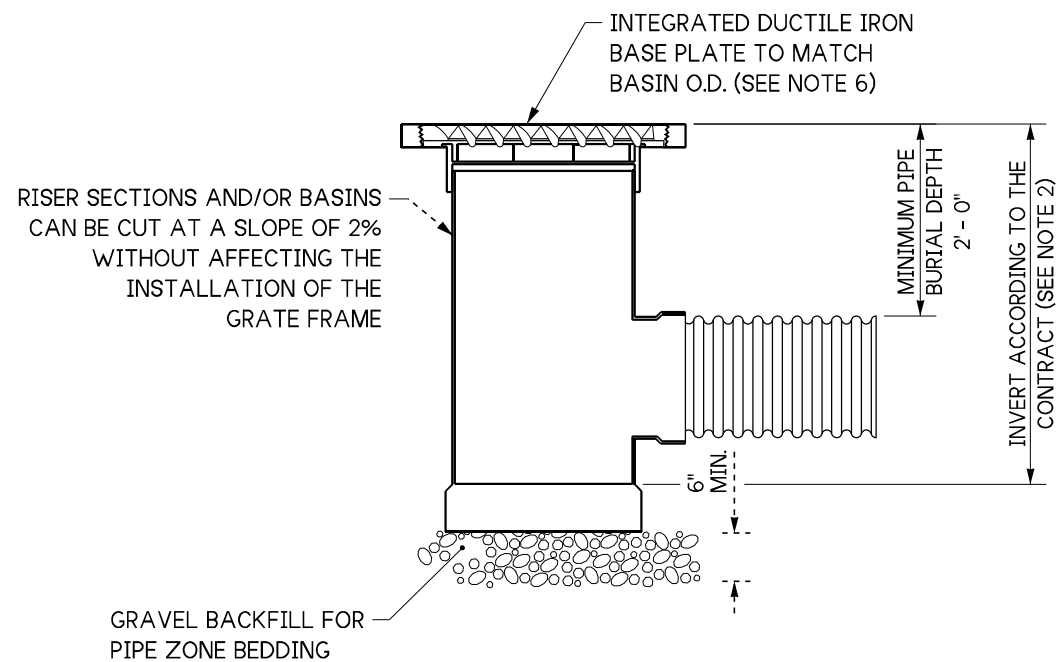
PLAN VIEW
FRAME AND VANED GRATE



RISER EXTENSION



BASIN BODY



ELEVATION VIEW

NOTES:

1. Drain basin to be custom manufactured according to plan details. Risers are needed for basins over 84" (in) due to shipping restrictions. The maximum depth from finished grade to the lowest invert shall be 8' (ft).
2. Drainage connections shall utilize flexible elastometric seals conforming to ASTM F477 and shall meet the requirements of ASTM D3212.
3. Risers can be trimmed down to 3" (in) extension without interfering with the installation of the frame.
4. These structures can be used for Type 1 or Type 1L structures.
5. Basins shall be manufactured from PVC pipe stock meeting the requirements of ASTM D1784 cell classification 12454.
6. Ductile iron castings for PVC catch basins shall conform to the requirements of ASTM A536 grade 70-50-05 and shall meet the proof load testing requirements of AASHTO M 306.
7. Bolt down capability is required on all frames, grates, and covers, unless specified otherwise in the Contract. Provide 2 holes in the frame that are vertically aligned with grate or cover slots. The frame shall accept the 304 Stainless Steel (S.S) 5/8" (in) -11 NC x 2" allen head cap screw by being tapped or other approved mechanism. Location of bolt-down holes varies by manufacturer.
8. This item requires approval from HQ Hydraulics before use on a project.
9. Optional ladder is available for 36" (in) diameter catch basin



Aug 23, 2023

CATCH BASIN ~ PVC

STANDARD PLAN B-10.70-03

SHEET 1 OF 1 SHEET

APPROVED FOR PUBLICATION

Mark A. Powers

Aug 23, 2023

STATE DESIGN ENGINEER

