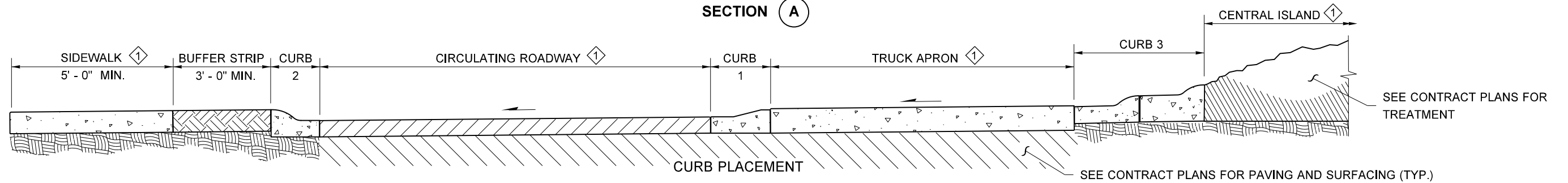
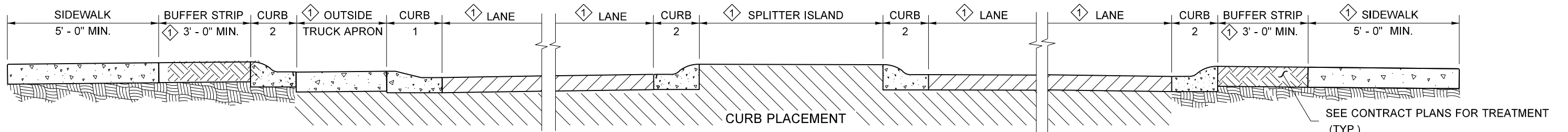


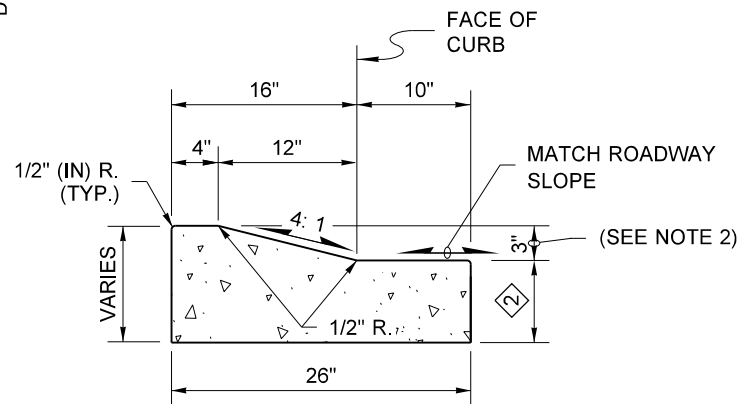
DRAWN BY: FERN LIDDELL



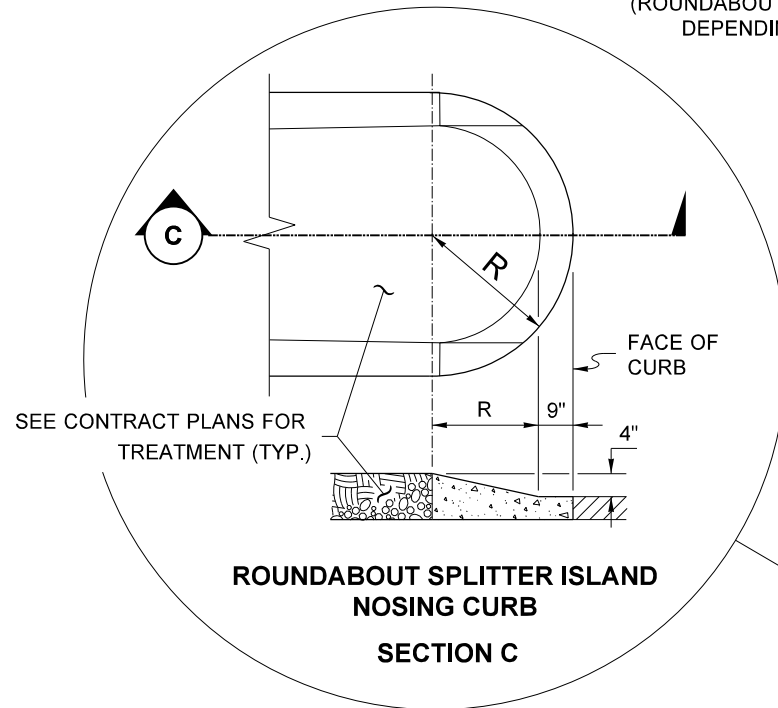
(ROUNDBABOUT CONFIGURATION WILL VARY DEPENDING ON CONTRACT PLANS)

NOTE

1. Construct curb joints at cement concrete pavement transverse joint locations. If all adjacent pavement is HMA, see **Standard Plan F-30.10** for Curb Expansion and Contraction Joint Spacing.
2. Region Traffic engineer approval is needed to install a truck apron lower than 3".

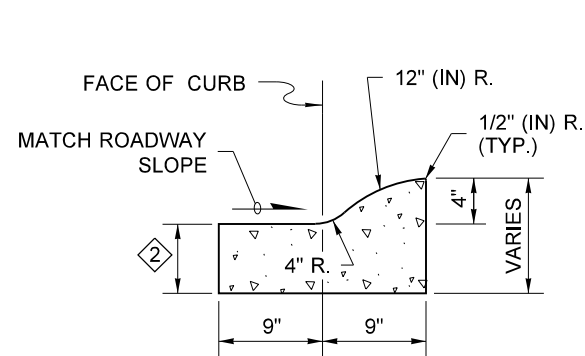


CURB 1
ROUNDBABOUT TRUCK APRON
CEMENT CONCRETE CURB & GUTTER
 (SINGLE SLOPE CURB)

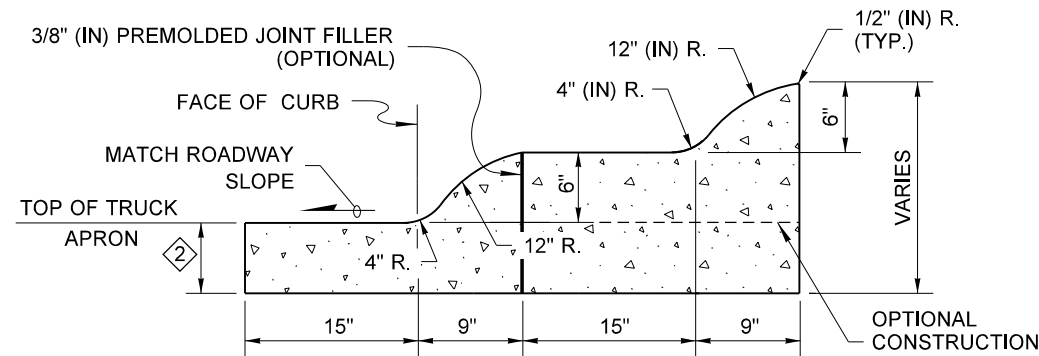


ROUNDBABOUT SPLITTER ISLAND
NOSING CURB
SECTION C

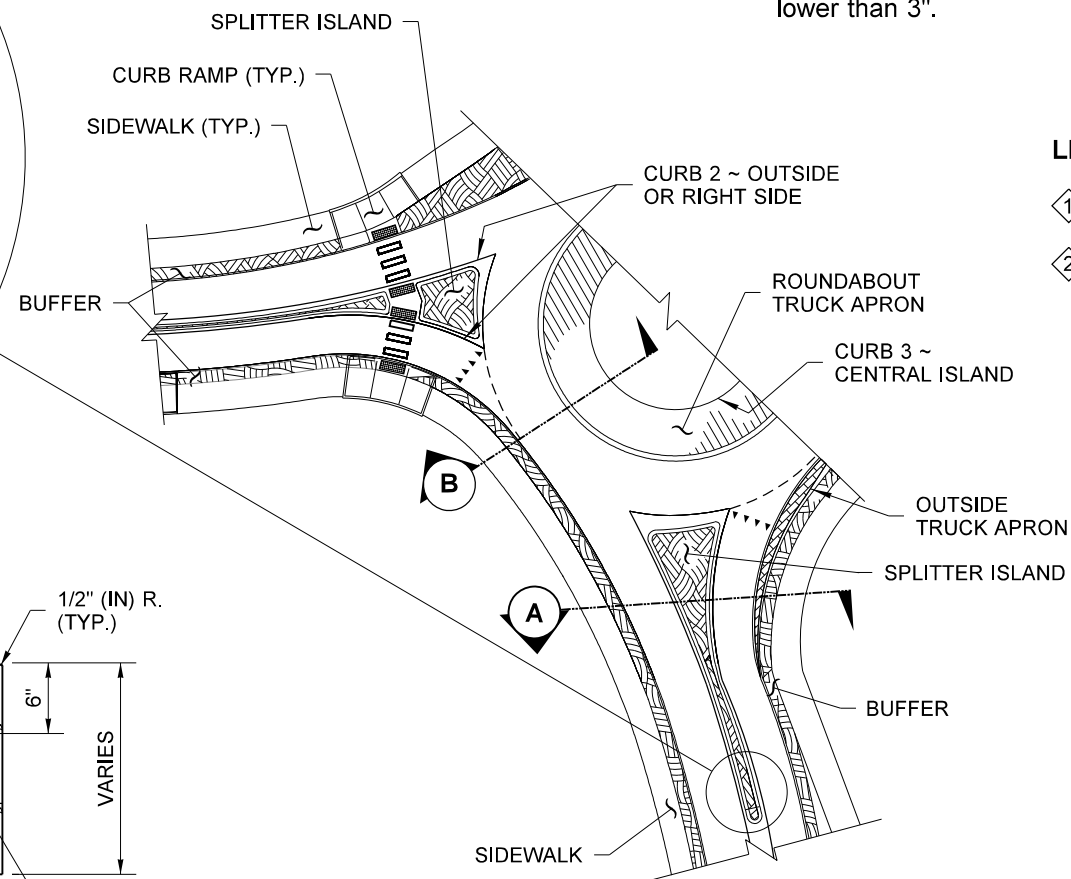
DETAIL
 (SEE CONTRACT PLANS FOR R)



CURB 2
(OUTSIDE, RIGHT SIDE OR SPLITTER ISLAND)
ROUNDBABOUT CEMENT CONCRETE
CURB AND GUTTER
 (SINGLE SLOPE CURB)

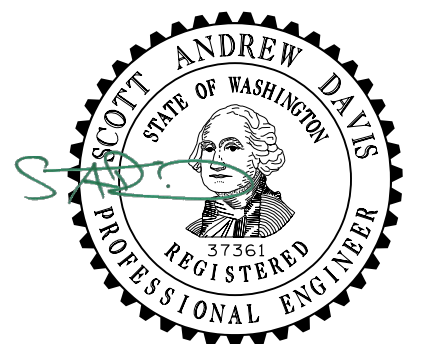


CURB 3
ROUNDBABOUT CENTRAL ISLAND
CEMENT CONCRETE CURB
 (SINGLE SLOPE CURB)



LEGEND

- ① Width varies ~ See Contract Plans.
- ② Match adjacent pavement thickness but not less than 6 inches.



Mar 25, 2022

ROUNDBABOUT CEMENT CONCRETE CURBS

STANDARD PLAN F-10.18-03

SHEET 1 OF 1 SHEET

APPROVED FOR PUBLICATION
Mark Gaines
 Mark Gaines (Mar 28, 2022 08:32 PDT)
 STATE DESIGN ENGINEER
 Washington State Department of Transportation
 Mar 28, 2022