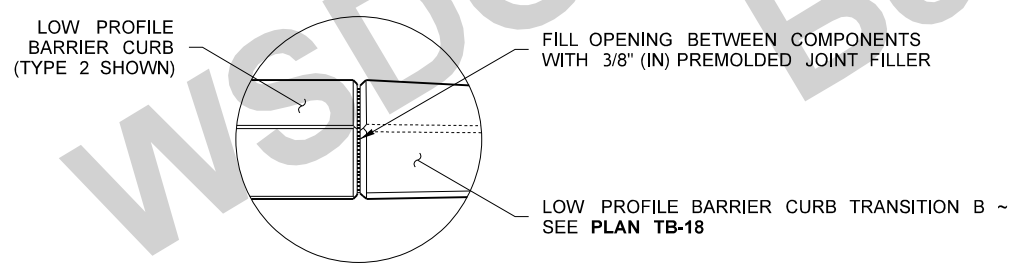
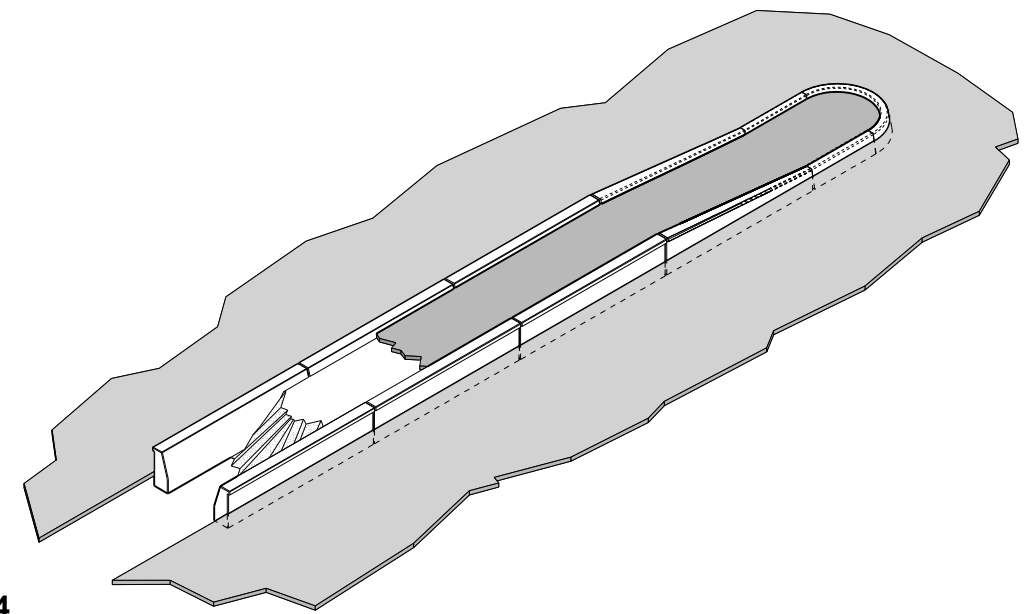


NOTE
 1. FOR BACKFILL AND SURFACE TREATMENT, SEE CONTRACT.




TYPICAL JOINT DETAIL



ISOMETRIC

LOW PROFILE BARRIER CURB PLACEMENT ~ CASE 4

FILE NAME	S:\Design R P& S\4-Standards\2-Plan Sheet Library\01-Master PSL\TB Traffic Barrier\TB-21\TB-21.dgn				REGION NO.	STATE	FED.AID PROJ.NO.	 <p>Washington State Department of Transportation</p>	Plot 1
TIME	12:30:18 PM				WASH		PLAN REF NO		
DATE	10/10/2023				JOB NUMBER		TB-21		
PLOTTED BY	liddelf				CONTRACT NO.	LOCATION NO.	SHEET		
DESIGNED BY							1		
ENTERED BY							OF		
CHECKED BY							1		
PROJ. ENGR.							SHEETS		
REGIONAL ADM.									
	REVISION		DATE	BY				LOW PROFILE BARRIER PLACEMENT WITH TRAFFIC CURB NOSE	
					P.E. STAMP BOX	DATE			
						P.E. STAMP BOX			